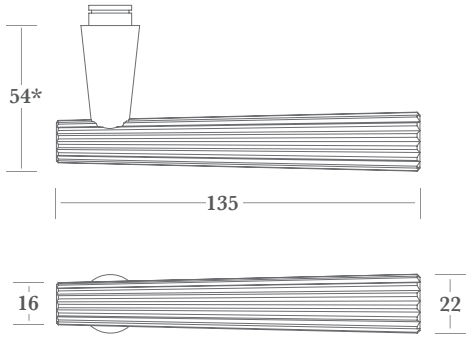
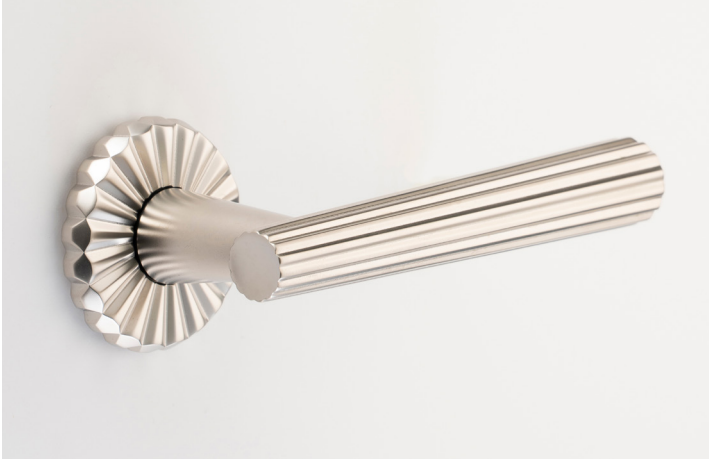


FLUTE COLLECTION



7760 FLUTE DOOR LEVER



* total projection: add rosette or backplate thickness including collar (eg. 61mm with 7853 rosette).

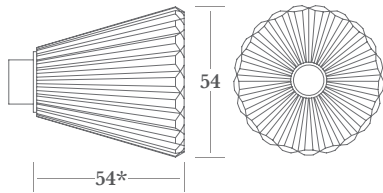
Makers of fine English hardware

Frank Allart & Company Ltd.,
 Head Office & UK Factory: 15/35 Great Tindal Street, Birmingham B16 8DR UK
 Tel: +44 (0)121 410 6000.

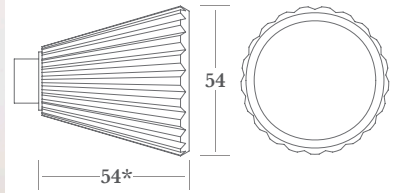
UK Sales: sales@frankallart.co.uk • USA Sales: sales@frankallart.com

www.frankallart.com

FLUTE DOOR KNOBS

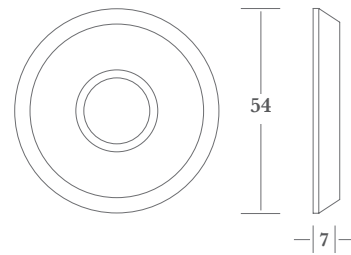
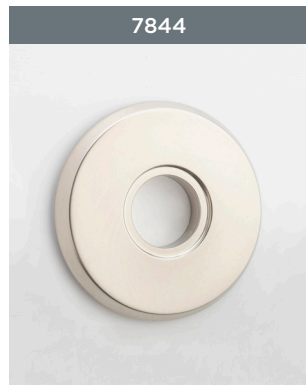
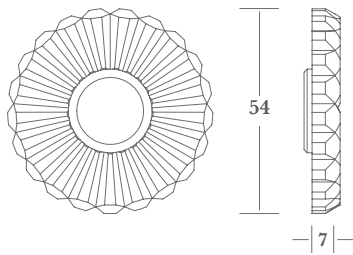


* total projection: add rosette or backplate thickness including collar (eg 61mm with 7853 Rosette)

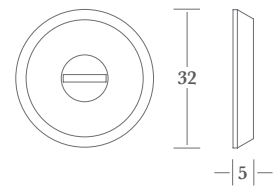
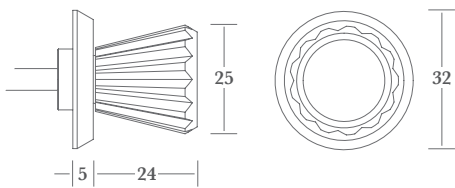
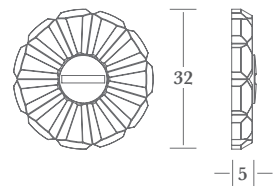
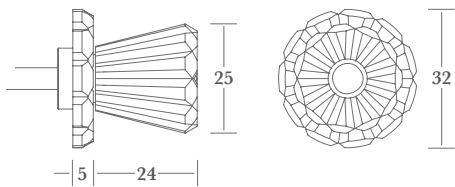


* total projection: add rosette or backplate thickness including collar (eg 61mm with 7844 Rosette)

FLUTE DOOR LEVER/KNOB ROSETTES


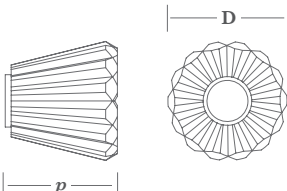


FLUTE THUMB TURNS & COIN RELEASES




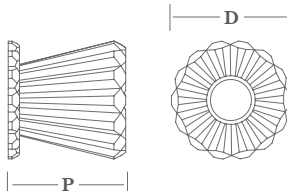
FLUTE CABINET KNOBS

0708


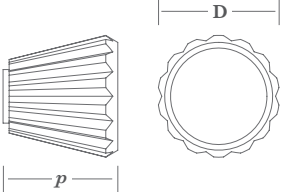
0708	A	B	C
D (dia)	Ø 25	Ø 32	Ø 38
p (proj)	25	30	34

0709


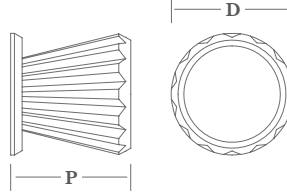
0709	A	B	C
D (dia)	Ø 25	Ø 32	Ø 38
P (proj)	26	31	36

0710

0710	A	B	C
D (dia)	Ø 25	Ø 32	Ø 38
p (proj)	25	30	34

0711

0711	A	B	C
D (dia)	Ø 25	Ø 32	Ø 38
P (proj)	26	31	36

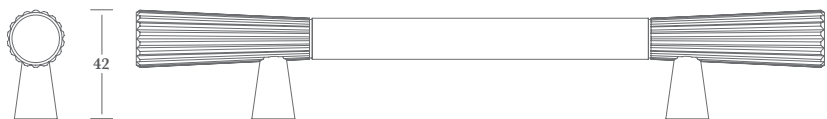
FLUTE CABINET PULLS



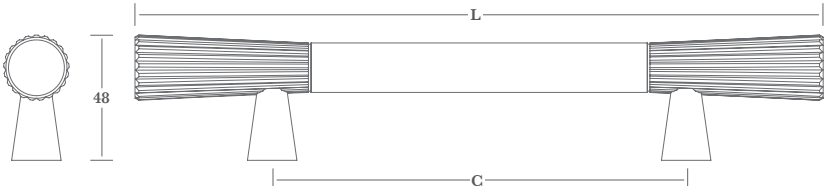
1454 - 13mm Dia



1455 - 16mm Dia



1456 - 19mm Dia



LENGTHS	A	B	C	D	E	F	G
Centres (C)	96	128	160	192	224	288	384
Length (L)	172	204	266	298	330	434	530