

Lever Action Flush Bolts

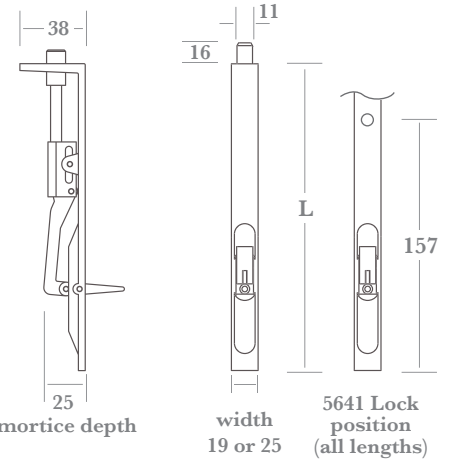
Two types of Lever Action Flush Bolt for edge or face fitting into the first closing leaf of a double door set - both offered in two widths (19mm & 25mm), a variety of lengths, and the option of rounded ends for joinery shop preparation.

The 5645 features a site adjustable 25mm to 40mm throw.

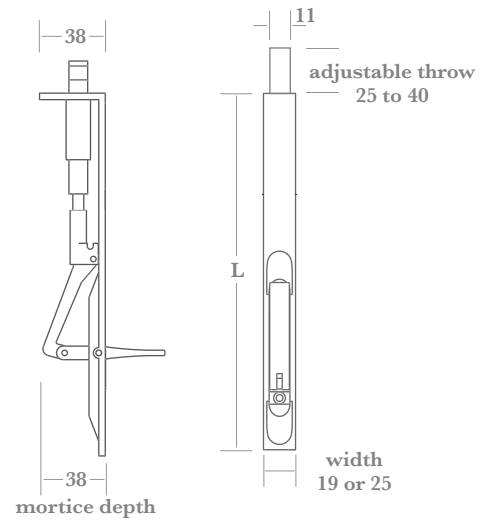


▲ 5640

▲ 5645



▲ 5640/5641



▲ 5645

Fixings

Supplied with fixing packs (comprising Strike Plate & all necessary screws) in six finishes (PB/PC/SC/IB/SA/SN). The closest match to the Bolt finish selected will be supplied.

How to Order

- 1) select WIDTH -19mm or 25mm (e.g. 19)
- 2) select BOLT (e.g. 19/5640)
- 3) choose ROUNDED ENDS if required (e.g. 19/5640R)
- 4) add FINISH (e.g. 19/5640SN or 19/5640R/SN)
- 5) add LENGTH (e.g. 19/5640SN/B or 19/5640R/SN/B).

Finishes - See our price list or website for finish availability.

NB. 5640 sizes A to D only - also available in satin anodised aluminium (SA) and polished aluminium (PA).



▲ 5641 (lockable version of 5640)



▲ Rounded Ends(R)



▲ Extended Wing versions available for rebated overpanels & over-rebated doors. Please contact us for availability.

L (length)	A	B	C	D	E	F	G	H	
5640	152	203	254(*)	305	457	609	762	914	other lengths available upon request
5641	-	203	254(*)	305	457	609	762	914	
5645	-	203	254(*)	305	457	609	762	914	

(*) 254mm length only available 19mm wide



Alternative strikes, sockets & straps - see page DB4:010

Knob Slide Flush Bolts

Two types of Knob Slide Flush Bolt for face fitting into the first closing leaf of a double door set - both offered in a variety of lengths.

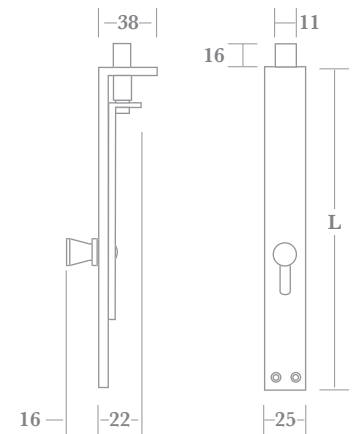
The 0440 has a standard 16mm throw, whereas the 0441 features a site adjustable throw of between 25mm and 40mm.



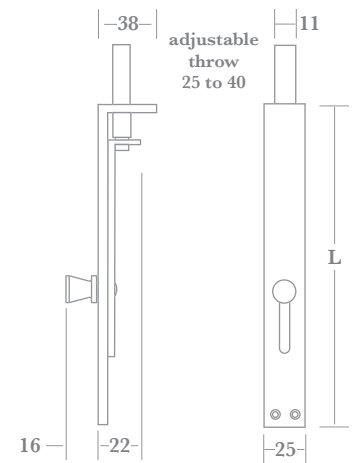
▲ 0440



▲ 0441



▲ 0440



▲ 0441

Fixings

Supplied with finish matched strike plates and no. 6 x 25mm wood screws.

How to Order

- 1) select BOLT (e.g. **0441**)
- 2) add FINISH (e.g. 0441**SC**)
- 3) add LENGTH (e.g. 0441**SC/B**).

Finishes - See our price list or website for finish availability.



▲ Extended Wing versions available for rebated overpanels & over-rebated doors. Please contact for availability.

L (length)	A	B	C	other lengths available upon request
0440	152	229	305	
0441	-	229	305	

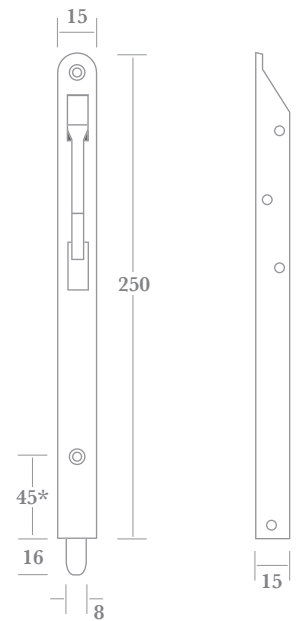


Alternative strikes, sockets & straps - see page DB4:010

Stainless Steel Flush Bolts

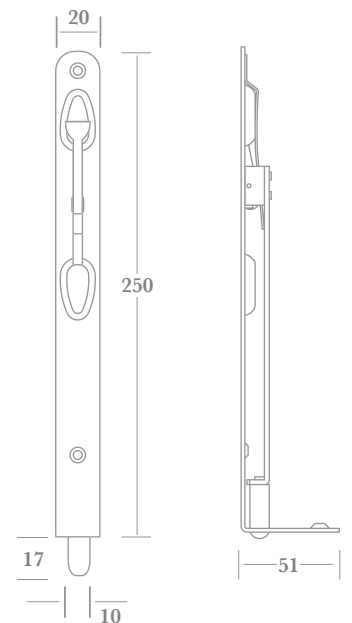
Two Stainless Steel Lever Action Flush Bolts for edge or face fitting into the first closing leaf of a double door set, both featuring round ends for joinery shop preparation.

The 5650, being 15mm wide, is suitable for euro-groove installation and features a bottom fixing position designed to facilitate use with drop seals (Norsound etc.)



* to facilitate use with Drop Seals (Norsound etc.)

▲ 5650



▲ 5654

Fixings

Supplied with finish matched fixing screws (bolt no.6 x 32mm, strike plate no.6 x 19mm).

How to Order

- 1) select BOLT (e.g. 5654)
- 2) add FINISH (e.g. 5654PS).

Finishes - Available in Satin Stainless Steel (SS) and Polished Stainless Steel (PS) only.

▲ 5650

▲ 5654

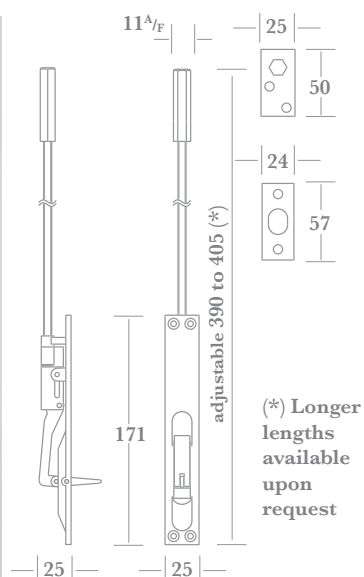


Alternative strikes & sockets - see page DB4:010

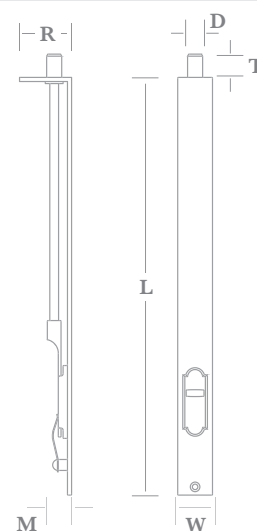
Skeleton & Sunk Slide Flush Bolts

The 5644 Skeleton Flush Bolt is designed for use on hollow core metal doors with an ANSI standard preparation, or timber doors if desired.

The 0443 Sunk Slide Flush Bolt is available in a variety of lengths and widths for either edge or face fitting into the first closing leaf of a double door set. The smaller sizes are ideally suited for cabinet doors and windows.



▲ 5644



▲ 0443

Fixings

5644 supplied with finish matched M4 x 12mm machine screws and no. 6 x 25mm woodscrews; along with finish matched steel plates and no.8 x 19mm plate fixing screws.

0443A & B supplied with finish matched strike plates and no.4 x 19mm wood screws.

0443C & D supplied with finish matched strike plates and no.6 x 25mm wood screws.

How to Order

1) select BOLT (e.g. **5644**)

2) add FINISH (e.g. 5644**PC**)

0443 only - add SIZE (e.g. 0443**PC/B**).

Finishes - See our price list or website for finish availability.

▲ 5644

▲ 0443

0443	L (length)	W (width)	D (diameter)	T (throw)	R (return length)	M (mortice)
A	76	13	Ø 7	9	20	12
B	102	16	Ø 7	11	23	14
C	152	19	Ø 10	16	32	16
D	152	25	Ø 11	16	38	17

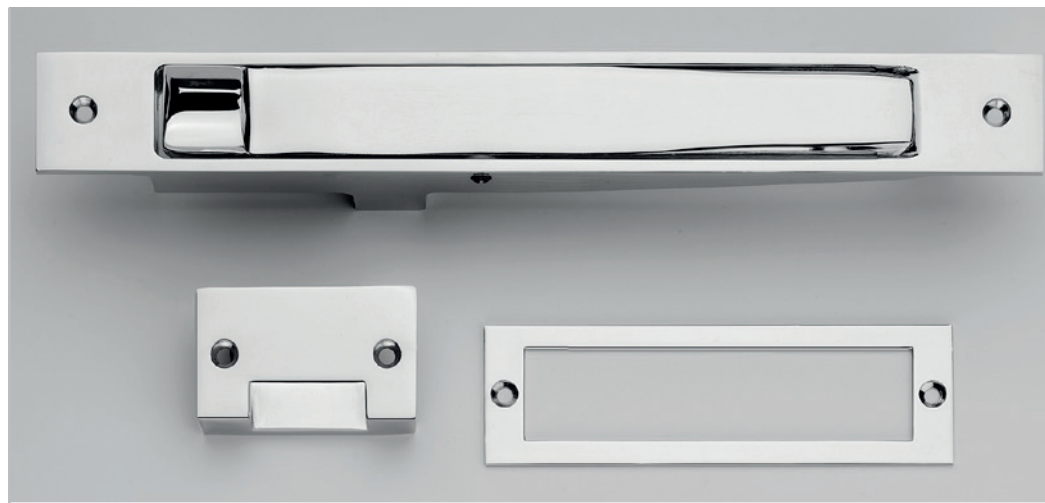


Alternative strikes & sockets - see page DB4:010

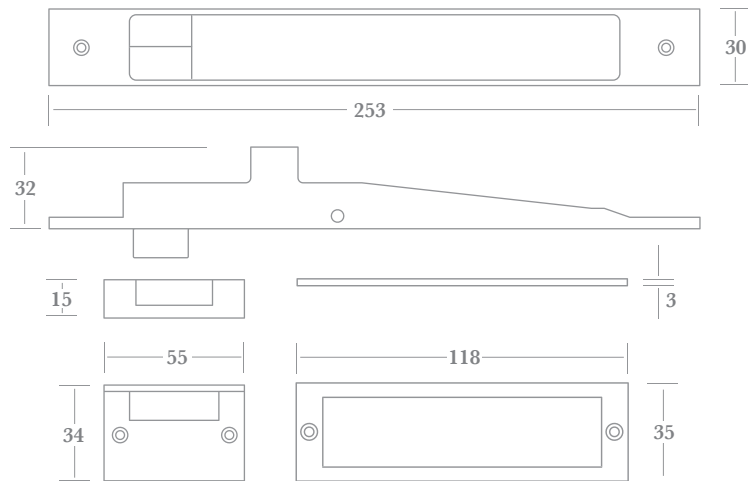
Transom Bolt

This Transom Bolt is designed to allow a pair of doors to open and close together to gain full use of the entire opening without the necessity of releasing and securing the inactive door after every operation. The Transom system allows both doors to be opened virtually simultaneously upon retracting a conventional latch or roller bolt. The doors can be closed together as long as the inactive door is closed slightly ahead of the active door.

PLEASE SEE OVERLEAF FOR TYPICAL INSTALLATION



▲ 0460



Fixings

Supplied with finished matched no.8 x 25mm wood screws and fitting instructions as shown.

How to Order

- 1) select BOLT (e.g. 0460)
- 2) add FINISH (e.g. 0460/PC).

Finishes - See our price list or website for finish availability.

Fitting instructions supplied

AUTOMATIC TRANSOM BOLT *Fitting Instructions*

- ❶ Mortise BOLT BODY into the head of the door frame, ensuring that the pivot point is offset 20mm from the centreline of the doors as shown.
- ❷ Mortise a recess into the top rail of the 1st Closing Leaf, below the BOLT ARM and FIT FLAT STRIKE PLATE 16.5mm away from door centreline as shown, to ensure positive engagement of BOLT ARM.
- ❸ Mortise the 2nd Closing Leaf and fit BEVEL STRIKE PLATE below BOLT HEAD, 16.5mm away from door centreline as shown.

IMPORTANT
It is recommended that all moving parts are lubricated at regular intervals
PLEASE PASS THIS LEAFLET ON TO THE END USER

Transom Bolt - typical installation

The Transom Bolt is a mechanical device, mortised into the header of a double door. With the inactive door leaf closed into the frame, the active door leaf bevel strike plate connects with the bevelled end of the bolt arm with a seesaw-like motion drops the other end into the flat strike plate fitted into the top of the inactive door leaf, thus holding it secure in the frame.

Example shown:

1023 Knobs on Roses (see page DF2:030) shown in conjunction with 7804 Dead-Fixing Roller Latch (see page MC3:080)

