

Rosettes - Face fixed

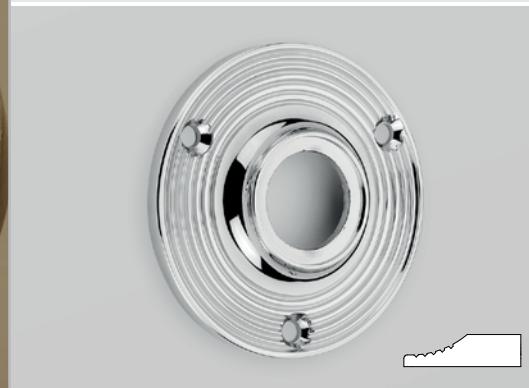
A selection of seven traditional period designs of face fixed Rosettes, four of which are available in two sizes; and all seven are designed to work in conjunction with the Door Levers & Door Knobs to be found in sections ST1 & ST2.



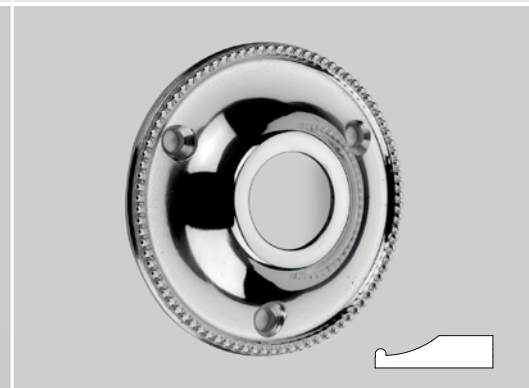
▲ 2721



▲ 2722



▲ 2727



▲ 2738



▲ 2755 57 x 57 x 7



▲ 2731 63 x 43 x 6



▲ 2753 70 x 45 x 10

Fixings

Supplied with finish matched no.6 x 19mm wood screws, alignment collars and installation instructions.

How to Order

Split Finish Sets - order as singles

- 1) select ROSETTE/BACKPLATE (e.g. 2755)
- 2) add FINISH (e.g. 2755PB)
- 3) 2721, 2722, 2727 & 2738 only - add SIZE (e.g. 2722PB/B).

For HALF SET (single rosette) add/H (e.g. 2755PB/H or 2722PB/B/H).

Finishes - See our price list or website for finish availability.

	A	B	Proj
2721/2727	Ø 57	Ø 63	10
2722/2738	Ø 57	Ø 65	12



FIX DEAD DUMMY MOUNT achieved using 9001 (sold separately see page ST6:080).

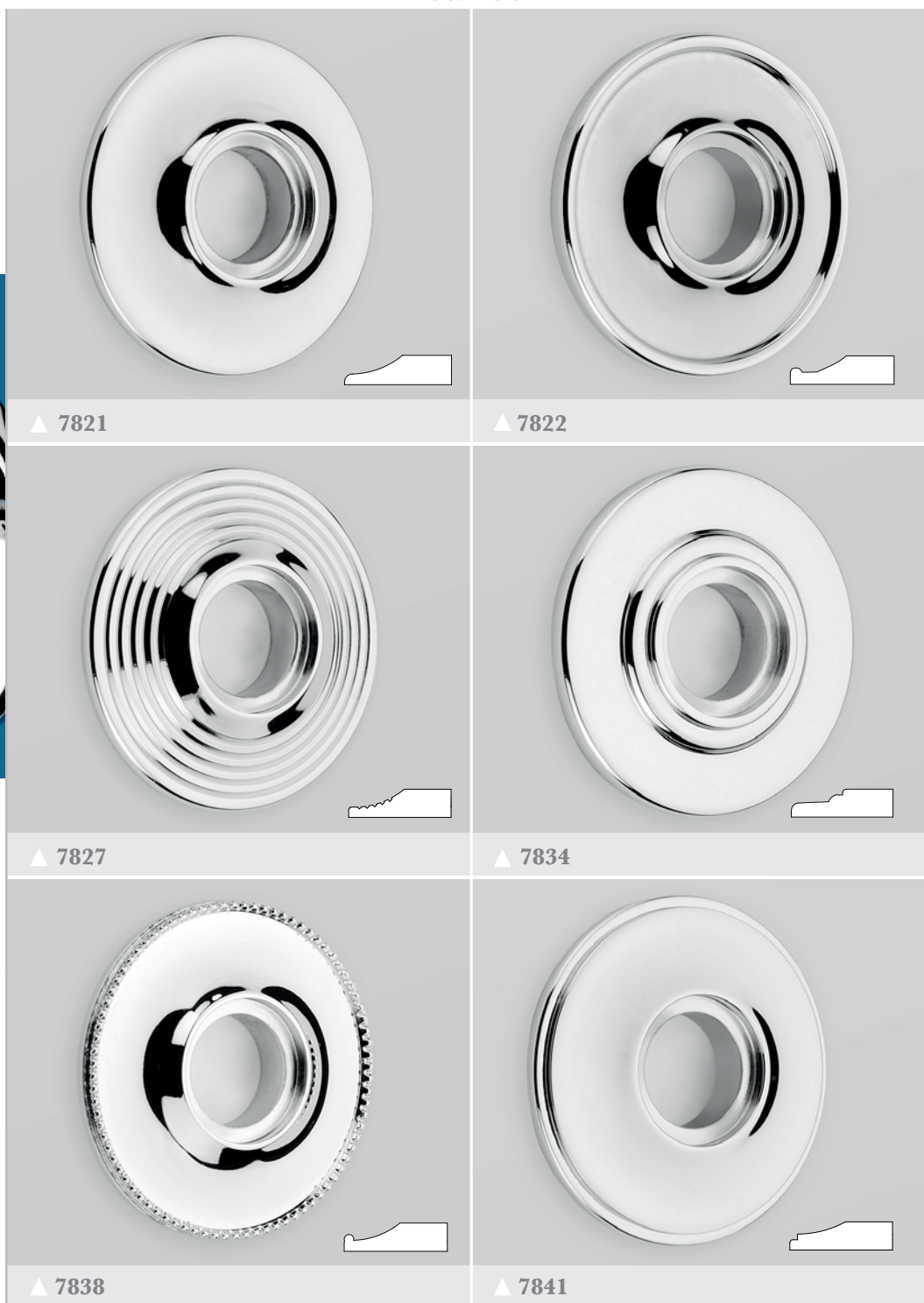


ALIGNMENT COLLARS SUPPLIED

Rosettes - Concealed fix

A selection of six traditional period designs of concealed fix Rosettes, all available in four sizes; and all designed to work in conjunction with the Door Levers & Door Knobs to be found in sections ST1 & ST2.

All shown in size B



Fixings

Supplied with subroses, no.4 x 13mm wood screws, alignment collars and installation instructions.

Fix Dead Rosettes are supplied with 7813 mounts in place of standard subroses (*).

Pair of Pre-Bore Rosettes (sizes C & D only) supplied with 7800 Pre-Bore Adaptor in place of standard subroses (*).

(* See pages ST6:070 & 080 for details.

How to Order

Split Finish Sets - order as singles

- 1) select ROSETTE (e.g. **7834**)
- 2) add FINISH (e.g. **7834PB**)
- 3) add SIZE (**7834PB/B**).

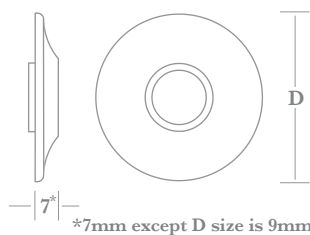
For HALF SET (single rosette) add/H (e.g. **7834PB/B/H**).

For pair of rosettes FIX DEAD add FDS (e.g. **7834PB/B/FDS**).

For single rosette FIX DEAD add FD (e.g. **7834PB/B/H/FD**).

For PRE-BORE ADAPTOR (sizes C & D only) add PRE (e.g. **7834PB/C/PRE**).

Finishes - See our price list or website for finish availability.



	A	B	C	D
D (dia)	Ø 44	Ø 54	Ø 64	Ø 76

Custom sizes available upon request - surcharge may apply.



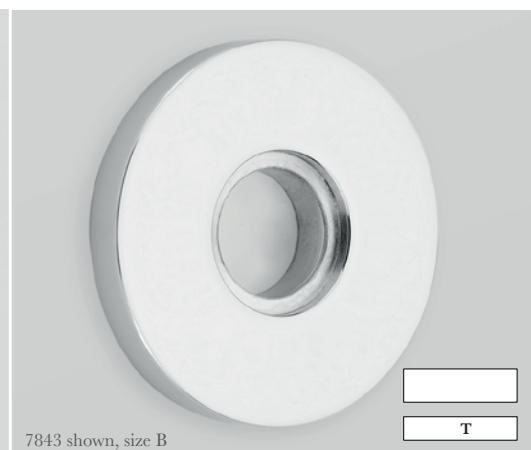
Rosettes - Concealed fix

Four modern contemporary, and two traditional period, designs of concealed fix Rosettes. All are available in up to four sizes, and all are designed to work in conjunction with the Door Levers & Door Knobs to be found in sections ST1 & ST2. 5mm depth Thin version (T) available on some designs.



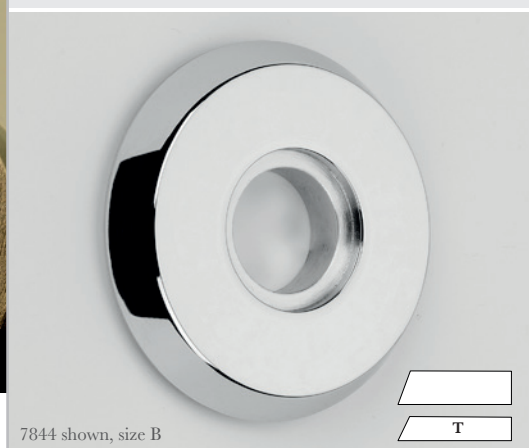
7842 shown, size B

▲ 7842 / 7842T



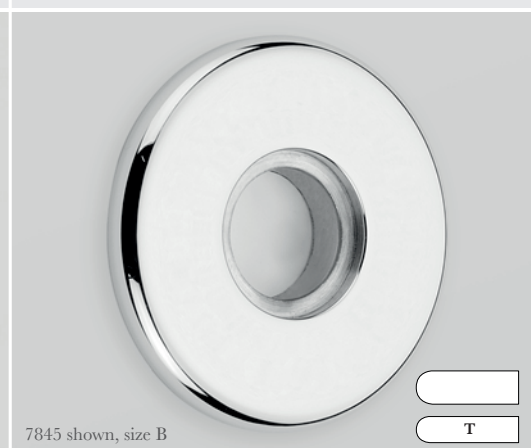
7843 shown, size B

▲ 7843 / 7843T



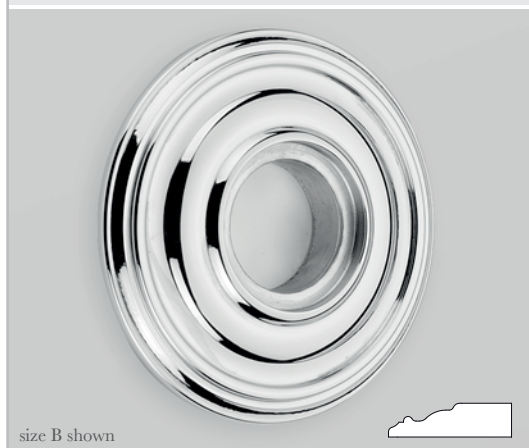
7844 shown, size B

▲ 7844 / 7844T



7845 shown, size B

▲ 7845 / 7845T (A size not available for both)



size B shown

▲ 7846



size B shown

▲ 7847

Fixings

Supplied with subroses, no.4 x 13mm wood screws, alignment collars and installation instructions.

Fix Dead Rosettes are supplied with 7813 mounts in place of standard subroses (*).

Pair of Pre-Bore Rosettes (sizes C & D only (except 7845 - D only)) supplied with 7800 Pre-Bore Adaptor in place of standard subroses (*).

(*) See pages ST6:070 & 080 for details.

How to Order

Split Finish Sets - order as singles

- 1) select ROSETTE (e.g. **7844** or **7844T**)
- 2) add FINISH (e.g. 7844**PB** or 7844**T/PB**)
- 3) add SIZE (e.g. 7844**PB/B**).

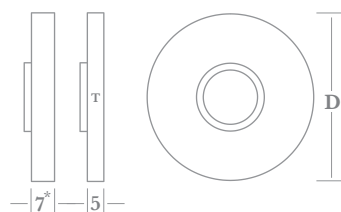
For HALF SET (single rosette) add/H (e.g. 7844**PB/B/H**).

For pair of rosettes FIX DEAD add FDS (e.g. 7844**PB/B/FDS**).

For single rosette FIX DEAD add FD (e.g. 7844**PB/B/H/FD**).

For PRE-BORE ADAPTOR (sizes C & D only (except 7845 & 7845T - D size only)) add PRE (e.g. 7844**PB/C/PRE**).

Finishes - See our price list or website for finish availability.



*7mm except for 7846 & 7847 D size is 9mm. 5mm = thin version (T)

	A	B	C	D
D (dia)	Ø 44	Ø 54	Ø 64	Ø 76

Custom sizes available upon request - surcharge may apply.



Rosettes - Concealed fix

Concealed fix Rosettes, each available in four sizes; and all designed to work in conjunction with the Door Levers & Door Knobs to be found in sections ST1 & ST2. 5mm depth Thin version (T) available on some designs.



Fixings

Supplied with subroses, no.4 x 13mm wood screws, alignment collars and installation instructions.

Fix Dead Rosettes are supplied with 7813 mounts in place of standard subroses (*).

Pair of Pre-Bore Rosettes (sizes C & D only, except 7832 & 7832T D only) supplied with 7800 Pre-Bore Adapter in place of standard subroses (*).

(*) See pages ST6:070 & 080 for details.

How to Order

Split Finish Sets - order as singles

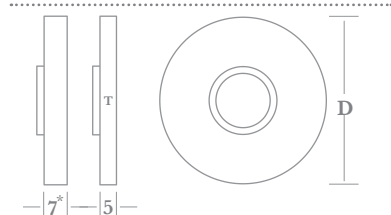
- 1) select ROSETTE (e.g. **7831** or **7831T**)
- 2) add FINISH (e.g. 7831**PB** or 7831T/**PB**)
- 3) add SIZE (e.g. 7831T/**PB/B**).

For HALF SET (single rosette) add/H (e.g. 7831T/**PB/B/H**).

For pair of rosettes FIX DEAD add FDS (e.g. 7831T/**PB/B/FDS**).

For single rosette FIX DEAD add FD (e.g. 7831T/**PB/B/H/FD**).

For PRE-BORE ADAPTOR (sizes C & D only, except 7832T C size) add PRE (e.g. 7831T/**PB/D/PRE**).



*7mm except for 7820, 7848 & 7849 D size is 9mm. 5mm = thin version (T)

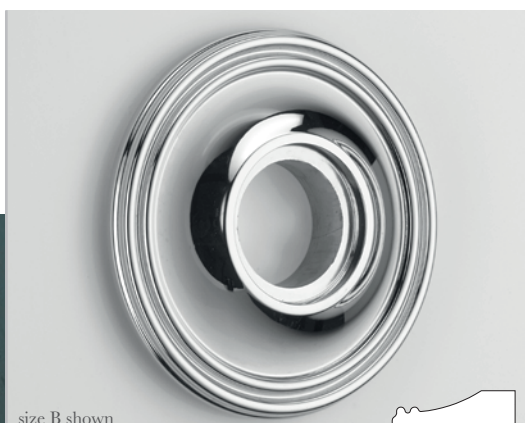
	A	B	C	D
D (dia)	Ø 44	Ø 54	Ø 64	Ø 76

Custom sizes available upon request - surcharge may apply.

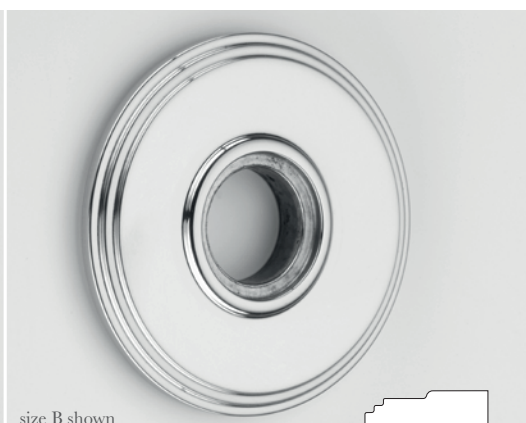
FIX DEAD DUMMY OPTION

SUBROSES & ALIGNMENT COLLARS SUPPLIED

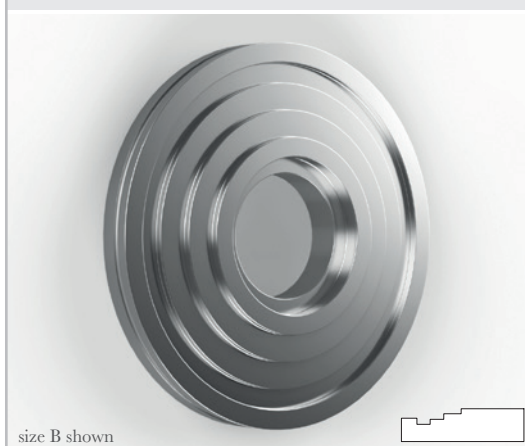
PRE-BORE ADAPTOR AVAILABLE



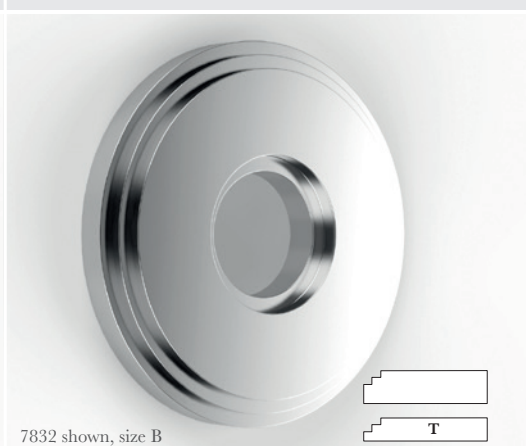
size B shown ▲ **7820**



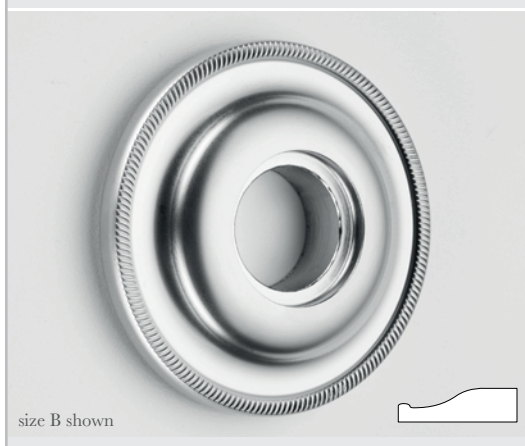
size B shown ▲ **7823**



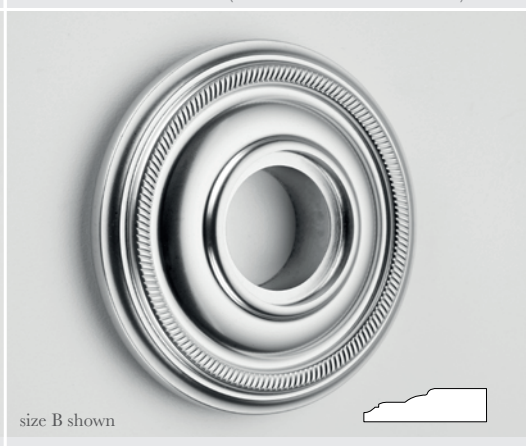
size B shown ▲ **7828**



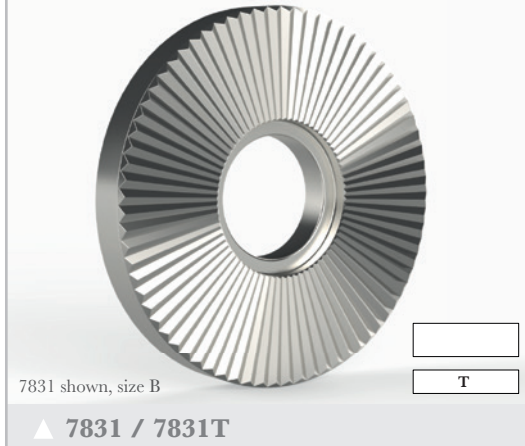
7832 shown, size B ▲ **7832 / 7832T** (7832T A size not available)



size B shown ▲ **7849**



size B shown ▲ **7848**



7831 shown, size B ▲ **7831 / 7831T**



size B shown ▲ **7850**

Rosettes - Concealed fix prung

All shown SPG (10mm thickness), size B

Concealed fix Rosettes with sprung mechanism. Designed to work in conjunction with Allart Select & Precision Door Levers & Knobs. Available in two diameters - 54mm & 64mm, and two thicknesses - 10mm (SPG) & 5mm (SPGT).



Fixings

Supplied with no.6 x 19mm wood screws and M5 machine screws for bolt through fixing to suit 44mm to 57mm thick doors, M5 machine screws for thicker doors available on request.

Alternative fitting options (eg. pre-bore adaption) can be provided - please contact us for further information. Note: Vertical fixing can be achieved by rotating the Rosette, no alternative fixing required.

How to Order

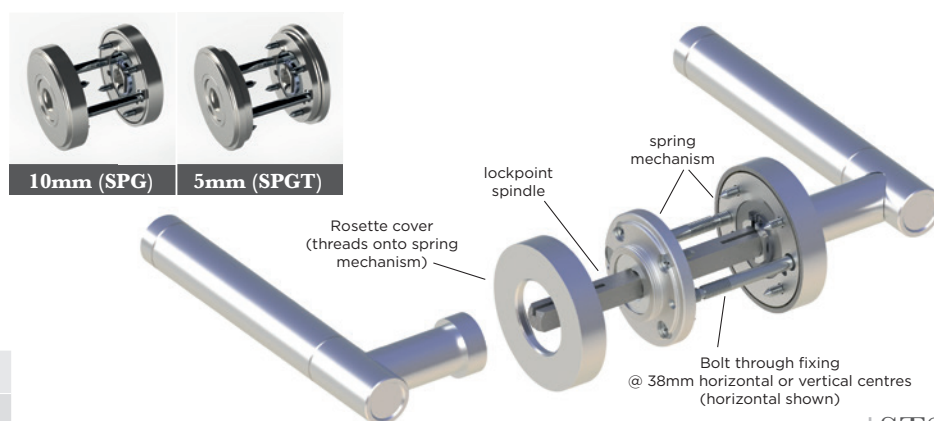
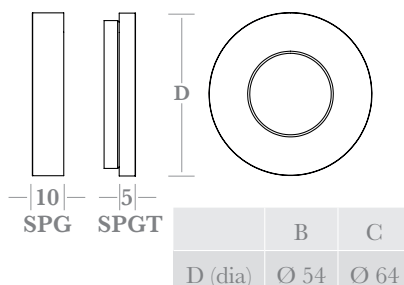
Split Finish Sets - order as singles

- 1) select ROSETTE (e.g. **7820SPG**)
- 2) add FINISH (e.g. 7820SPG/**PB**)
- 3) add SIZE (7820SPG/**PB/B**).

For HALF SET (single rosette) add/**LH** or /**RH** (e.g. 7820SPG/**PB/B/LH**).

PLEASE NOTE: To work with Sprung Rosettes, the Lever or Knob needs to be machined to fit and 'SPG' must be added to the Lever or Knob code eg. 7754SPG/...

5mm versions (**SPGT**) require a 5mm deep x 50mm dia counterbore.



Rosettes - Concealed fix prung

All shown SPG (10mm thickness), size B

Concealed fix Rosettes with spring mechanism. Designed to work in conjunction with Allart Select & Precision Door Levers & Knobs. Available in two diameters - 54mm & 64mm, and two thicknesses - 10mm (SPG) & 5mm (SPGT).



Fixings

Supplied with no.6 x 19mm wood screws and M5 machine screws for bolt through fixing to suit 44mm to 57mm thick doors, M5 machine screws for thicker doors available on request.

Alternative fitting options (eg. pre-bore adaption) can be provided - please contact us for further information. Note: Vertical fixing can be achieved by rotating the Rosette, no alternative fixing required.

How to Order

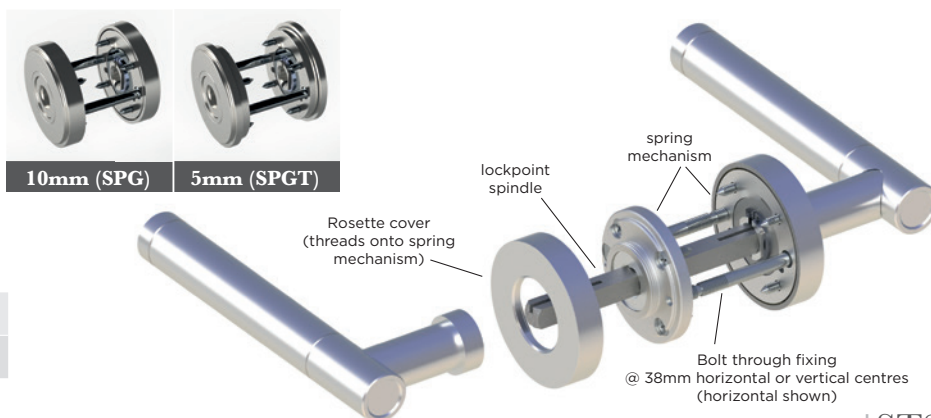
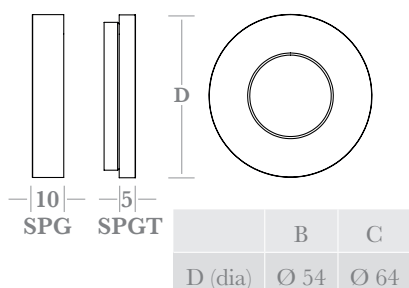
Split Finish Sets - order as singles

- 1) select ROSETTE (e.g. **7831SPG**)
- 2) add FINISH (e.g. 7831SPG/**PB**)
- 3) add SIZE (7831SPG/**PB/B**).

For HALF SET (single rosette) add/LH or/RH (e.g. 7831SPG/**PB/B/LH**).

PLEASE NOTE: To work with Sprung Rosettes, the Lever or Knob needs to be machined to fit and 'SPG' must be added to the Lever or Knob code eg. 7754SPG/...

5mm versions (**SPGT**) require a 5mm deep x 50mm dia counterbore.



Rosettes - Concealed fix sprung

All shown SPG (10mm thickness), size B



SPG
SPGT

▲ 7843SPG / 7843SPGT



SPG
SPGT

▲ 7844SPG / 7844SPGT



SPG
SPGT

▲ 7845SPG / 7845SPGT



SPG
SPGT

▲ 7846SPG / 7846SPGT



SPG
SPGT

▲ 7847SPG / 7847SPGT



SPG
SPGT

▲ 7848SPG / 7848SPGT

Fixings

Supplied with no.6 x 19mm wood screws and M5 machine screws for bolt through fixing to suit 44mm to 57mm thick doors, M5 machine screws for thicker doors available on request.

Alternative fitting options (eg. pre-bore adaption) can be provided - please contact us for further information.

Note: Vertical fixing can be achieved by rotating the Rosette, no alternative fixing required.

How to Order

Split Finish Sets - order as singles

- 1) select ROSETTE (e.g. **7843SPG**)
- 2) add FINISH (e.g. 7843SPG/**PB**)
- 3) add SIZE (7843SPG/**PB/B**).

For HALF SET (single rosette) add/LH or /RH (e.g. 7843SPG/**PB/B/LH**).

PLEASE NOTE: To work with Sprung Rosettes, the Lever or Knob needs to be machined to fit and 'SPG' must be added to the Lever or Knob code eg. 7754SPG/...



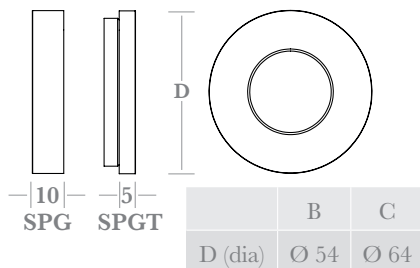
SPG
SPGT

▲ 7849SPG / 7849SPGT

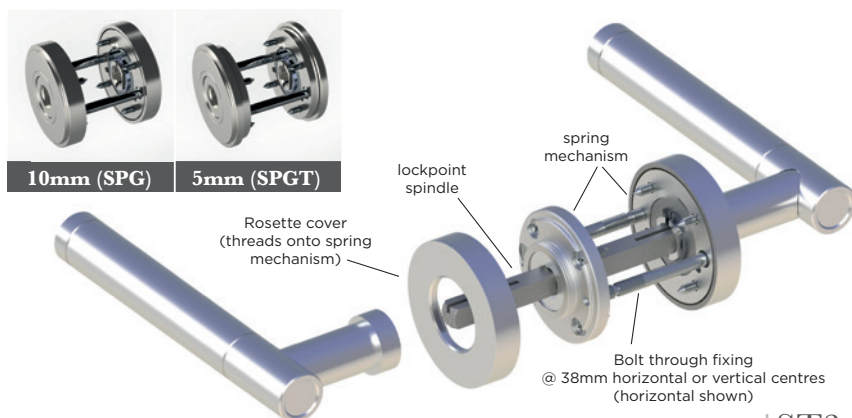


SPG
SPGT

▲ 7850SPG / 7850SPGT

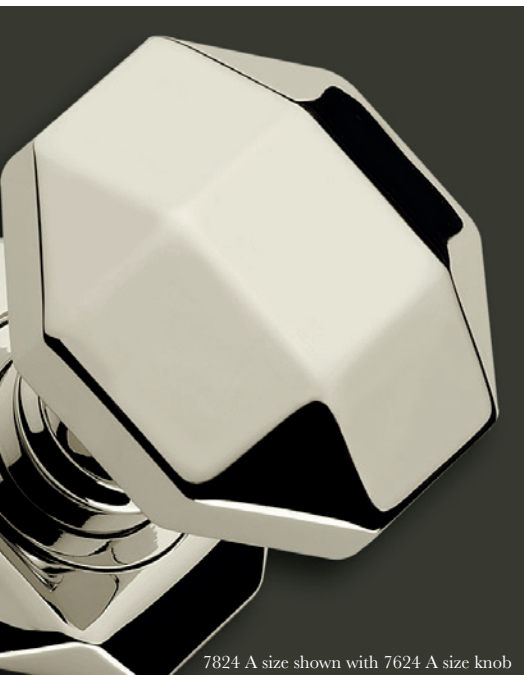


5mm versions (SPGT) require a 5mm deep x 50mm dia counterbore.

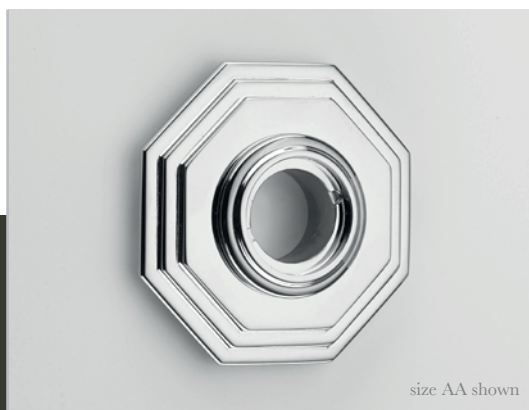


Rosettes - Concealed fix

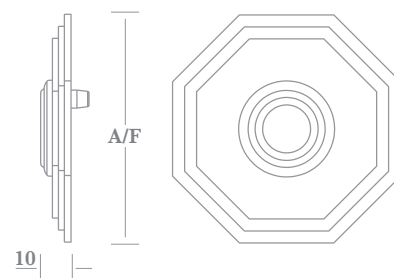
Three octagonal and one Art Deco design concealed fix Rosettes - designed to work in conjunction with the Door Levers & Door Knobs to be found in sections ST1 & ST2.



7824 A size shown with 7624 A size knob



size AA shown

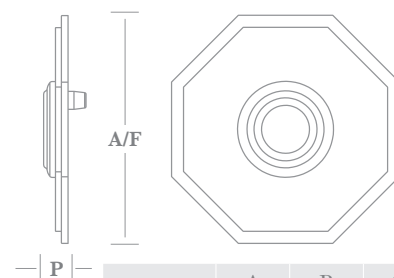


	AA	A	B
Size A/F	57	64	76

▲ 7825



size A shown

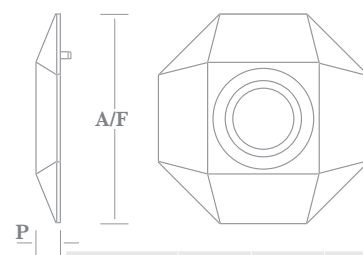


	A	B	C
Size A/F	57	64	76
P (proj)	9	9	10

▲ 7837



size A shown



	A	B	C
Size A/F	53	60	70
P (proj)	6	7	8

Fixings

Supplied with subroses, no.4 x 13mm wood screws, alignment collars and installation instructions.

Fitted with anti-rotation pegs.

Fix Dead Rosettes are supplied with 7813 mounts in place of standard subroses (*).

Pair of Pre-Bore Rosettes are supplied with 7800 Pre-Bore Adapter in place of standard subroses (*).

(* See pages ST6:070 & 080 for details.

How to Order

Split Finish Sets - order as singles

- 1) select PLATE (e.g. **7825**)
- 2) add FINISH (e.g. 7825**PB**)
- 3) add SIZE (except 7826) (e.g. 7825**PB/B**).

For HALF SET (single rosette) add/H (e.g. 7825**PB/B/H**).

For pair of rosettes FIX DEAD add FDS (e.g. 7825**PB/B/FDS**).

For single rosette FIX DEAD add FD (e.g.7825**PB/B/H/FD**).

For PRE-BORE ADAPTOR (*) add PRE (e.g. 7825**PB/B/PRE**).

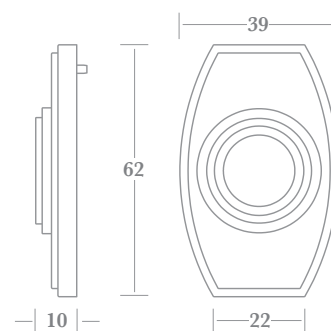
(* Cannot be used with 7826, 7824A or B.

Finishes - See our price list or website for finish availability.

▲ 7824



size A shown



▲ 7826



SUBROSES & ALIGNMENT COLLARS SUPPLIED



PRE-BORE ADAPTOR AVAILABLE



FIX DEAD DUMMY OPTION

A/F = dimension across flats

Custom sizes available upon request - surcharge may apply.