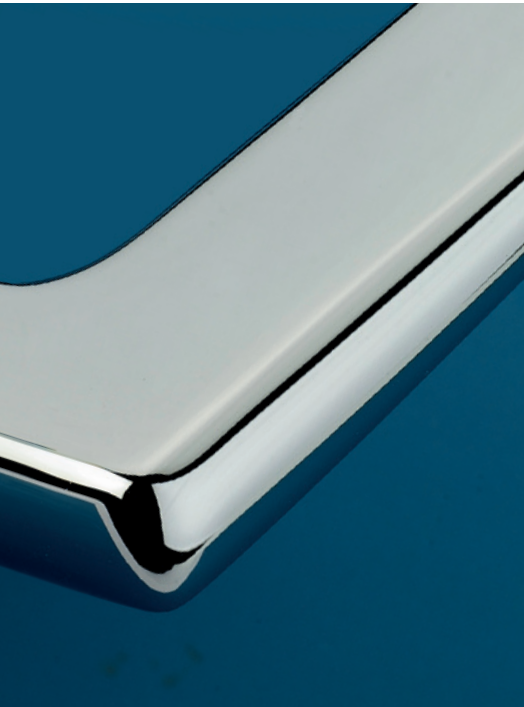


Door Levers

Two classic 1960's inspired Door Levers designed to work in conjunction with the Rosettes & Backplates to be found in sections ST3 & ST4.

Complementary Thumb Turns can be found in section ST7.



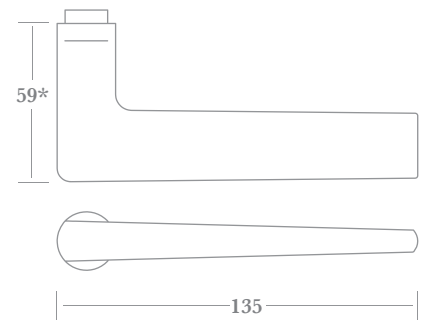
RH shown

▲ 7741



▲ with 49 series multipoint plate

▲ shown with **7844B** rosette



* total projection: add 7mm for rosette, 6mm for backplate with flush collar & 10mm for plate with raised collar.

Fixings

Supplied with 8mm x 110mm stainless steel lockpoint spindle and M6 grubscrew (64mm max. door thickness); alternative spindle lengths and functions are available - see pages ST6:070 & 080.

Installation instructions supplied.

How to Order

Split Finish Sets - order as singles

1) select LEVER (e.g. **7741**)

2) add FINISH (e.g. **7741PC**)

If single lever only required add HANDING (e.g. **7741PC/RH**).

For single lever as exterior pairing with a CREMONE BOLT add CM to code (e.g. **7741PC/CM**) - see DB3:200.

Backplates and Rosettes ordered separately - see sections ST3 and ST4.

Finishes - See our price list or website for finish availability.



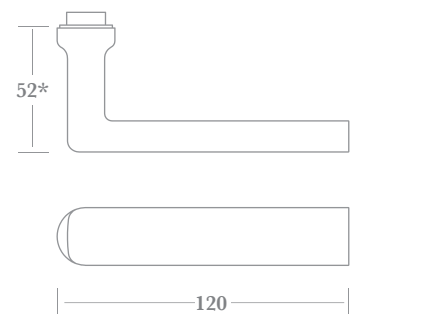
RH shown

▲ 7742



▲ with 49 series multipoint plate

▲ shown with **7845B** rosette



* total projection: add 7mm for rosette, 6mm for backplate with flush collar & 10mm for plate with raised collar.

Door Levers

Two Art Deco inspired contemporary Door Levers designed to work in conjunction with the Rosettes & Backplates to be found in sections ST3 & ST4.

Complementary Thumb Turns can be found in section ST7.



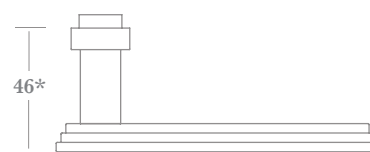
RH shown

▲ 7729



▲ shown with 3261A plate

▲ shown with 7842B rosette

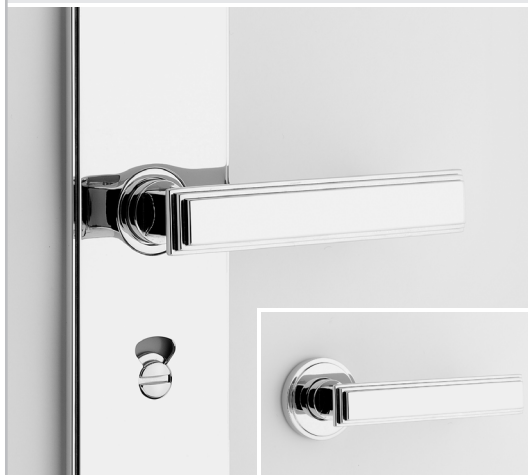


* total projection: add rosette or backplate thickness including collar.



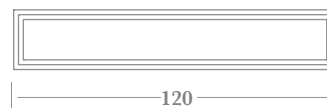
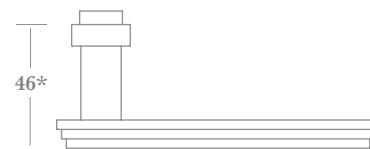
RH shown

▲ 7728



▲ shown with 5927C/R03 plate

▲ shown with 7842A rosette



* total projection: add rosette or backplate thickness including collar.

Fixings

Supplied with 8mm x 110mm stainless steel lockpoint spindle and M6 grubscrew (64mm max. door thickness); alternative spindle lengths and functions are available - see pages ST6:070 & 080.

Installation instructions supplied.

How to Order

Split Finish Sets - order as singles

1) select LEVER (e.g. 7728)

PLEASE NOTE: To work with Sprung Rosettes, the Lever needs to be machined to fit and 'SPG' must be added to the code eg. 7728SPG/...

2) add FINISH (e.g. 7728PC)

If single lever only required add HANDING (e.g. 7728PC/RH).

For single lever as exterior pairing with a CREMONE BOLT add CM to code (e.g. 7728PC/CM) - see DB3:200.

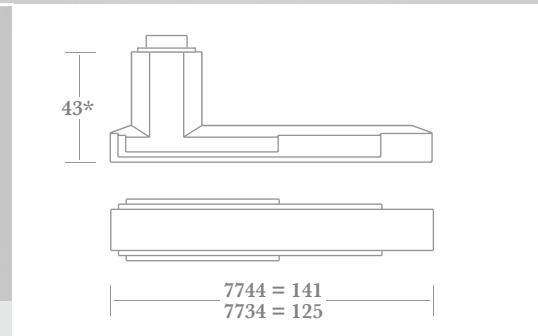
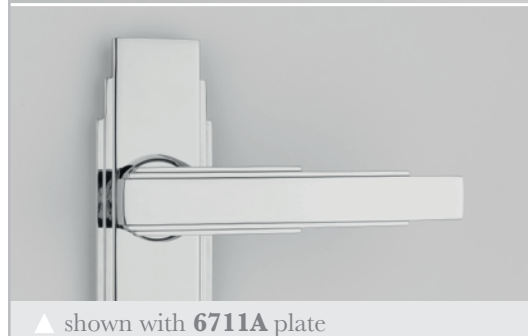
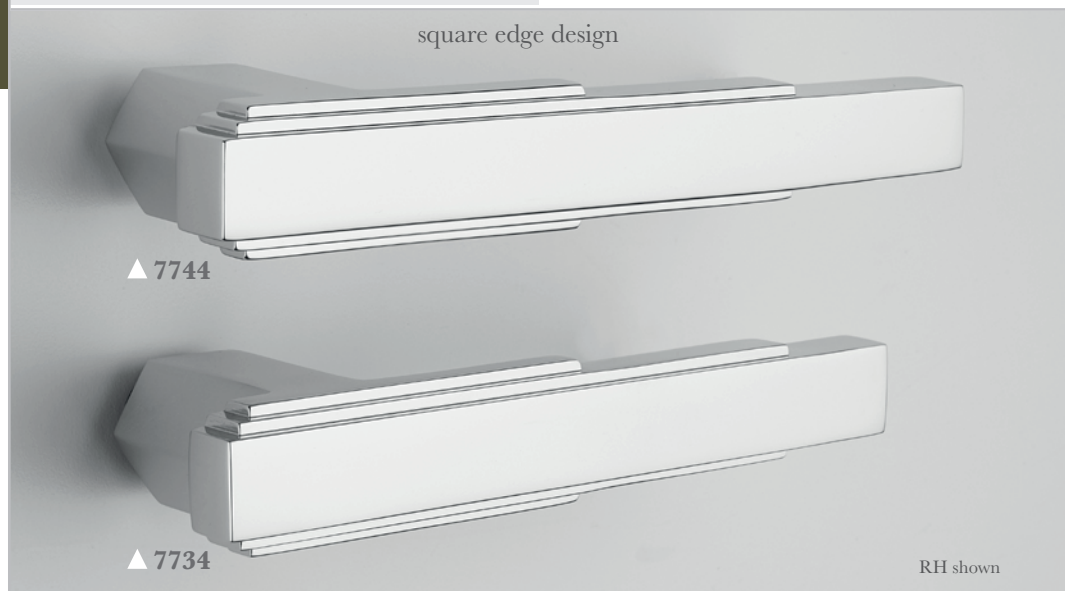
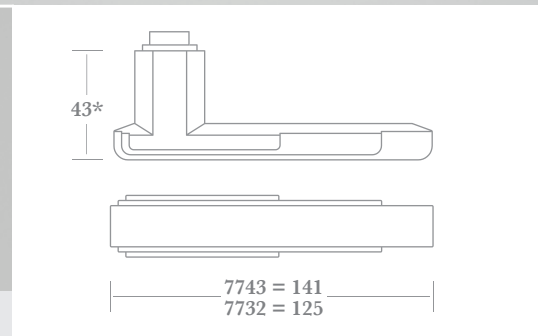
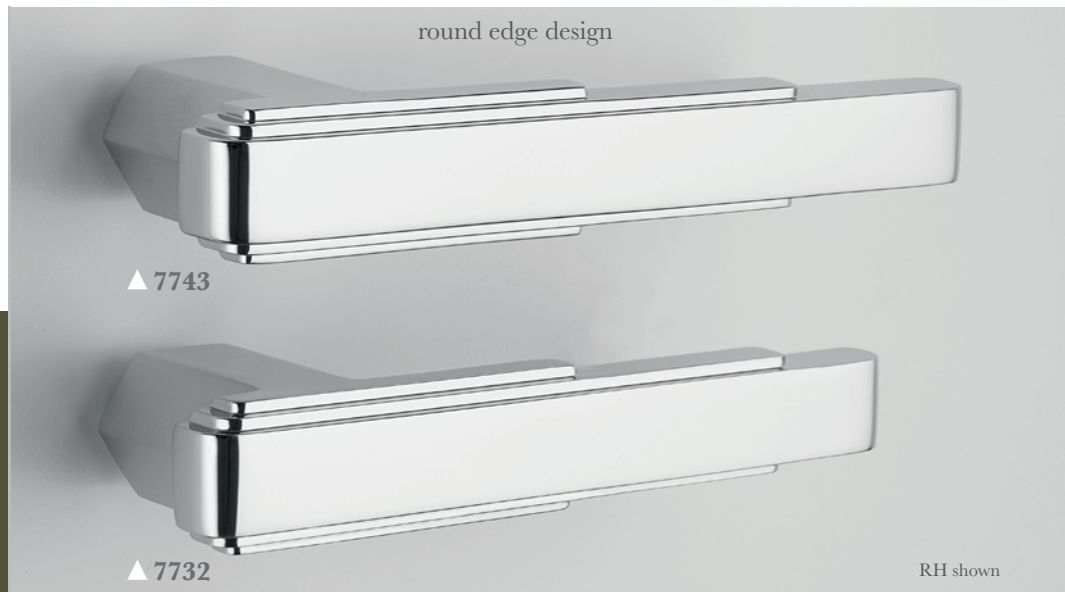
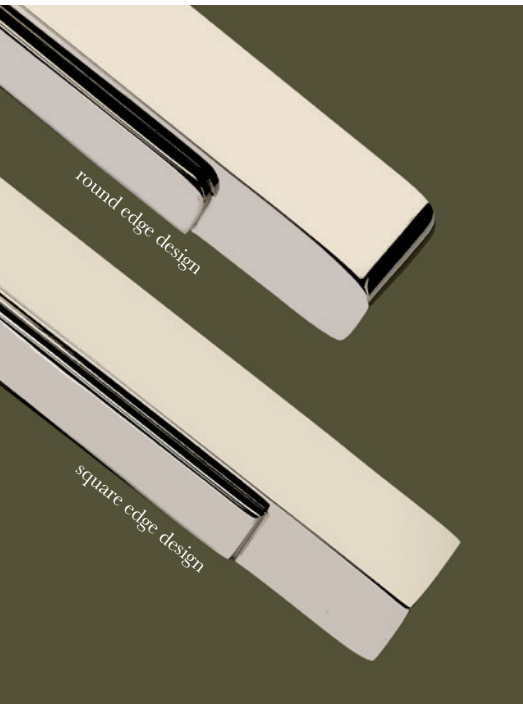
Backplates and Rosettes ordered separately - see sections ST3 and ST4.

Finishes - See our price list or website for finish availability.

Door Levers

Four classic Art Deco period Door Levers designed to work in conjunction with the Rosettes & Backplates to be found in sections ST3 & ST4.

Complementary Thumb Turns can be found in section ST7.



Fixings

Supplied with 8mm x 110mm stainless steel lockpoint spindle and M6 grubscrew (64mm max. door thickness); alternative spindle lengths and functions are available - see pages ST6:070 & 080.

Installation instructions supplied.

How to Order

Split Finish Sets - order as singles

1) select LEVER design (e.g. **7734**)

2) add FINISH (e.g. **7734PC**)

If single lever only required add HANDING (e.g. **7734PC/RH**).

For single lever as exterior pairing with a CREMONE BOLT add CM to code (e.g. **7734PC/CM**) - see DB3:200.

Backplates and Rosettes ordered separately - see sections ST3 and ST4.

Finishes - See our price list or website for finish availability.

▲ shown with **6711A** plate

* total projection: add 7mm for rosette & 6mm for backplate. Lever design is suitable for use with backplates fitted with either type G flush collar or type J raised collar (other raised collar designs are not recommended).

Door Levers

Traditional period Door Lever with rope knurled detailing designed to work in conjunction with the Rosettes & Backplates to be found in sections ST3 & ST4. Complementary Thumb Turns can be found in section ST7.



▲ 7774



▲ 7775



▲ 7764

Fixings

Supplied with 8mm x 110mm stainless steel lockpoint spindle and M6 grub screw (64mm max. door thickness); alternative spindle lengths and functions are available - see pages ST6:070 & 080.

Installation instructions supplied.

How to Order

Split Finish Sets -
order as singles

1) select LEVER (e.g. **7774**)

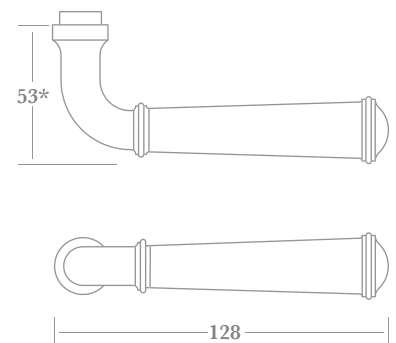
2) add FINISH (e.g. **7774PC**)

If single lever only required add HANDING (e.g. **7774PC/RH**).

For single lever as exterior pairing with a CREMONE BOLT add CM to code (e.g. **7774PC/CM**) - see DB3:200.

Backplates and Rosettes ordered separately - see sections ST3 and ST4.

Finishes - See our price list or website for finish availability.

▲ 7774 shown with **6011A** plate▲ 7774 shown with **7846B** rosette

* total projection: add 7mm for rosette, 6mm for backplate with flush collar & 10mm for plate with raised collar.

Door Levers

Four traditional period Door Levers designed to work in conjunction with the Rosettes & Backplates to be found in sections ST3 & ST4.

Complementary Thumb Turns can be found in section ST7.



RH shown

▲ 7768



RH shown

▲ 7769



RH shown

▲ 7770



RH shown

▲ 7771

Fixings

Supplied with 8mm x 110mm stainless steel lockpoint spindle and M6 grubscrew (64mm max. door thickness); alternative spindle lengths and functions are available - see pages ST6:070 & 080.

Installation instructions supplied.

How to Order

Split Finish Sets - order as singles

1) select LEVER (e.g. 7769)

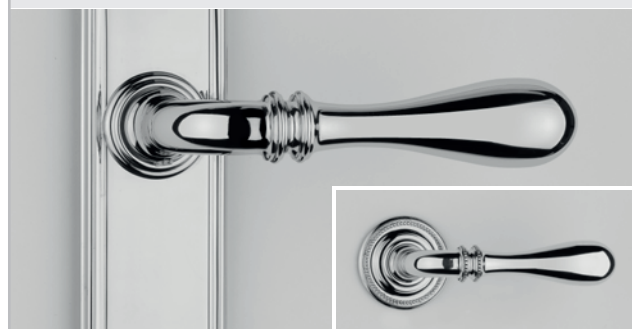
2) add FINISH (e.g. 7769PC)

If single lever only required add HANDING (e.g. 7769PC/RH).

For single lever as exterior pairing with a CREMONE BOLT add CM to code (e.g. 7769PC/CM) - see DB3:200.

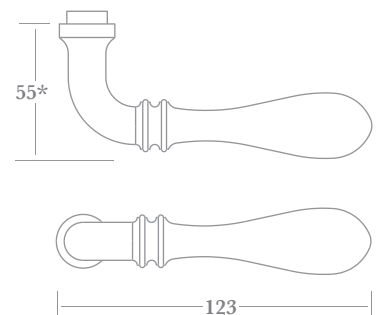
Backplates and Rosettes ordered separately - see sections ST3 and ST4.

Finishes - See our price list or website for finish availability.



▲ 7770 shown with 6011A plate

▲ 7771 shown with 7847B rosette

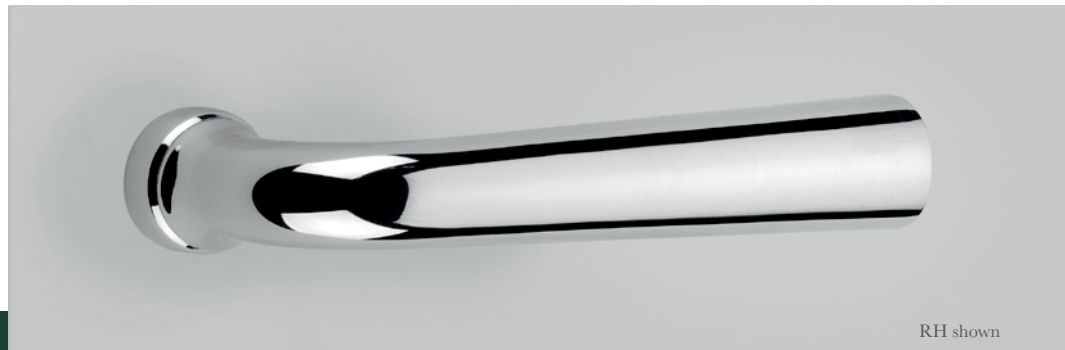


* total projection: add 7mm for rosette, 6mm for backplate with flush collar & 10mm for plate with raised collar.

Door Levers

One traditional period, and one 1960's inspired, Door Lever - both designed to work in conjunction with the Rosettes & Backplates to be found in sections ST3 & ST4.

Complementary Thumb Turns can be found in section ST7.



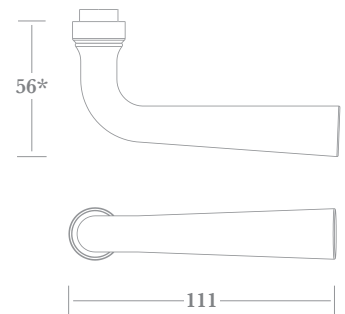
RH shown

▲ 7706



▲ with 49 series multipoint plate

▲ shown with 5951B rosette



* total projection: add 7mm for rosette, 6mm for backplate with flush collar & 10mm for plate with raised collar.

Fixings

Supplied with 8mm x 110mm stainless steel lockpoint spindle and M6 grubscrew (64mm max. door thickness); alternative spindle lengths and functions are available - see pages ST6:070 & 080.

Installation instructions supplied.

How to Order

Split Finish Sets - order as singles

1) select LEVER (e.g. 7706)

2) add FINISH (e.g. 7706PC)

If single lever only required add HANDING (e.g. 7706PC/RH).

For single lever as exterior pairing with a CREMONE BOLT add CM to code (e.g. 7706PC/CM) - see DB3:200.

Backplates and Rosettes ordered separately - see sections ST3 and ST4.

Finishes - See our price list or website for finish availability.



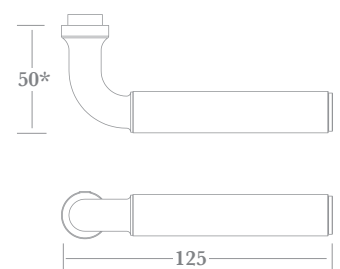
RH shown

▲ 7773



▲ with 49 series euro-profile lock plate

▲ shown with 7843B rosette

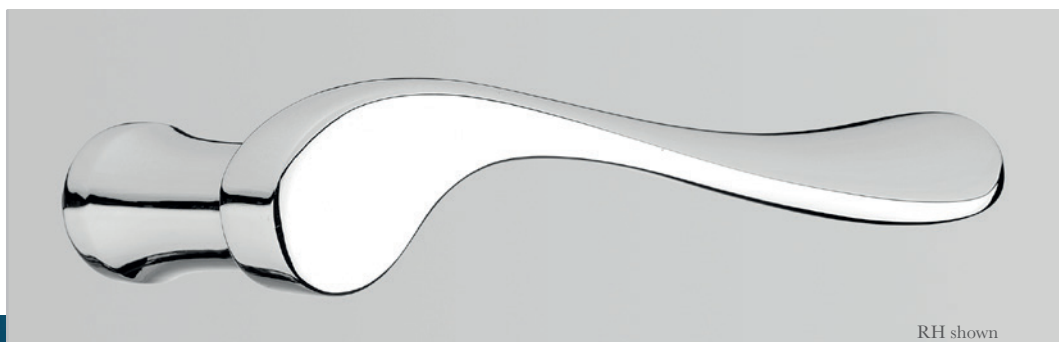
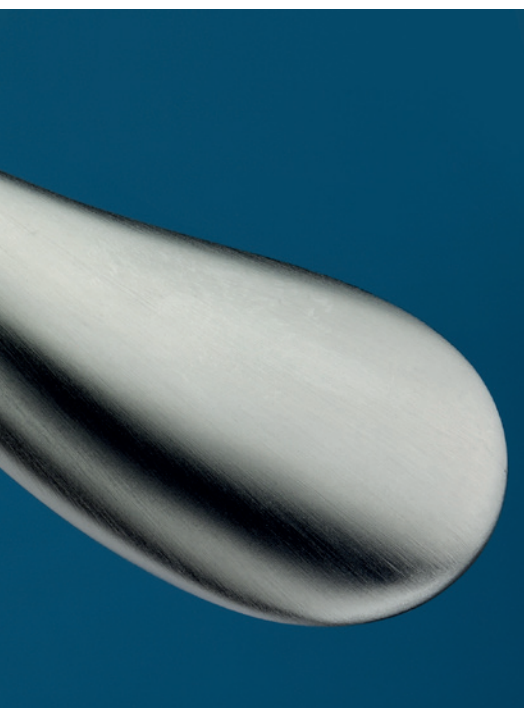


* total projection: add 7mm for rosette, 6mm for backplate with flush collar & 10mm for plate with raised collar.

Door Levers

Two classic 1950's period Door Levers designed to work in conjunction with the Rosettes & Backplates to be found in sections ST3 & ST4.

Whilst very similar in design, the 7716 is much slimmer and lighter than it's chunky and weightier brother, the 7717.



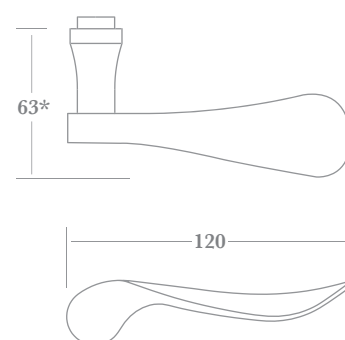
RH shown

▲ **7716** (light design - single lever 230g)



▲ shown with **5911A** plate

▲ shown with **7834B** rosette



* total projection: add 7mm for rosette, 6mm for backplate with flush collar & 10mm for plate with raised collar.

Fixings

Supplied with 8mm x 110mm stainless steel lockpoint spindle and M6 grub screw (64mm max. door thickness); alternative spindle lengths and functions are available - see pages ST6:070 & 080.

Installation instructions supplied.

How to Order

Split Finish Sets - order as singles

NB. Split Finish Sets are ordered as singles.

1) select LEVER (e.g. **7716**)

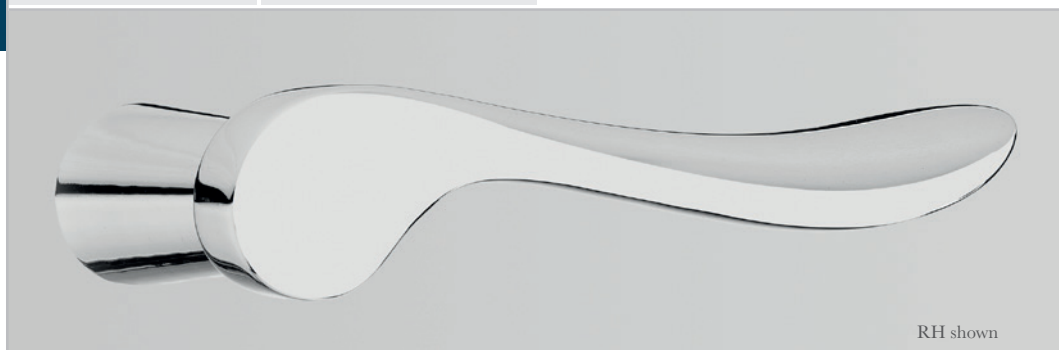
2) add FINISH (e.g. **7716PC**)

If single lever only required add HANDING (e.g. **7716PC/RH**).

For single lever as exterior pairing with a CREMONE BOLT add CM to code (e.g. **7716PC/RH/CM**) - see DB3:200.

Backplates and Rosettes ordered separately - see sections ST3 and ST4.

Finishes - See our price list or website for finish availability.



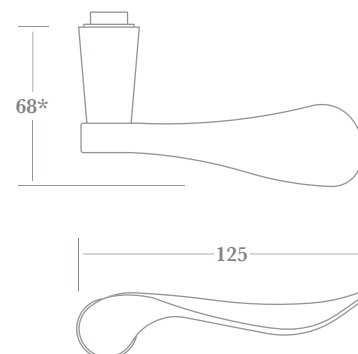
RH shown

▲ **7717** (heavy design - single lever 360g)



▲ shown with **4711A** plate

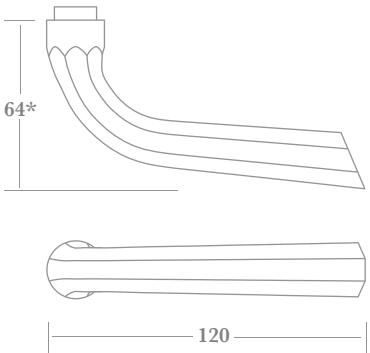
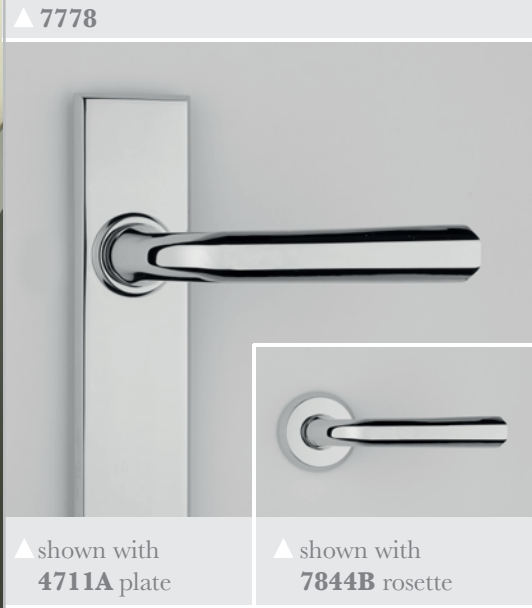
▲ shown with **7843B** rosette



* total projection: add 7mm for rosette, 6mm for backplate with flush collar & 10mm for plate with raised collar.

Door Levers

Two contemporary Door Levers designed to work in conjunction with the Rosettes & Backplates to be found in sections ST3 & ST4. Complementary Thumb Turns can be found in section ST7.



* total projection: add 7mm for rosette, 6mm for backplate with flush collar & 10mm for plate with raised collar.

▲ shown with 4711A plate

▲ shown with 7844B rosette

Fixings

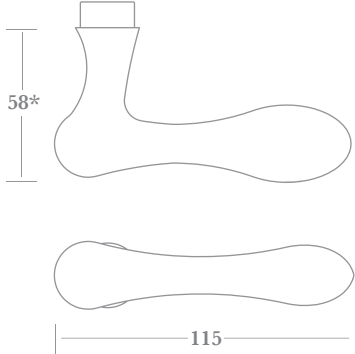
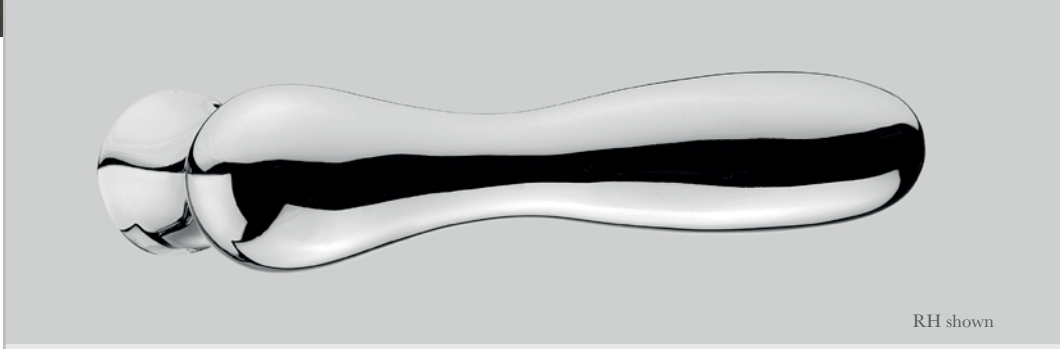
Supplied with 8mm x 110mm stainless steel lockpoint spindle and M6 grubscrew (64mm max. door thickness); alternative spindle lengths and functions are available - see pages ST6:070 & 080. Installation instructions supplied.

How to Order

Split Finish Sets - order as singles

- 1) select LEVER (e.g. 7778)
 - 2) add FINISH (e.g. 7778PC)
- If single lever only required add HANDING (e.g. 7778PC/RH).
- For single lever as exterior pairing with a CREMONE BOLT add CM to code (e.g. 7778PC/CM) - see DB3:200.
- Backplates and Rosettes ordered separately - see sections ST3 and ST4.

Finishes - See our price list or website for finish availability.



* total projection: add 7mm for rosette, 6mm for backplate with flush collar & 10mm for plate with raised collar.

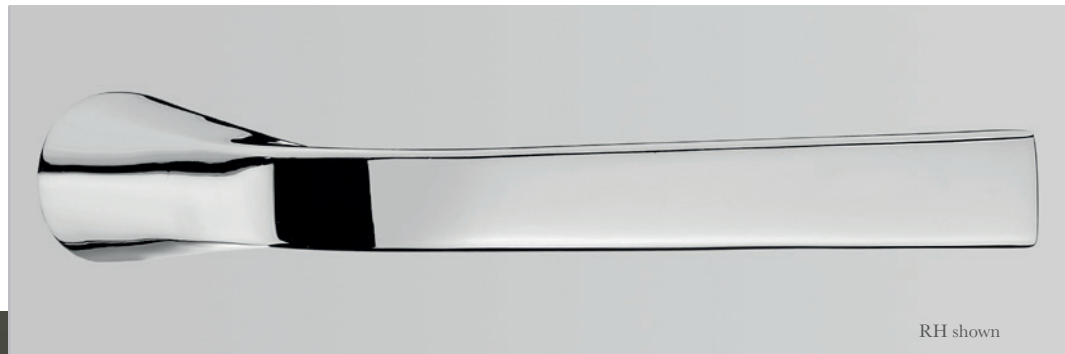
▲ shown with 4711A plate

▲ shown with 7845B rosette

Door Levers

Two 1960's inspired Door Levers designed to work in conjunction with the Rosettes & Backplates to be found in sections ST3 & ST4.

Complementary Thumb Turns can be found in section ST7.



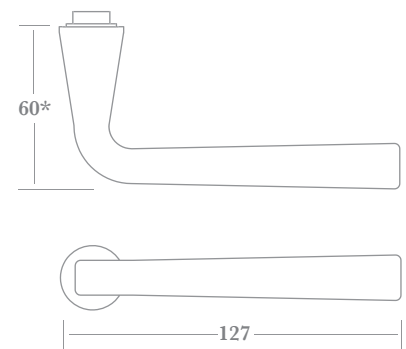
RH shown

▲ 7733



▲ shown with 4711A plate

▲ shown with 7843B rosette



* total projection: add 7mm for rosette, 6mm for backplate with flush collar & 10mm for plate with raised collar.

Fixings

Supplied with 8mm x 110mm stainless steel lockpoint spindle and M6 grubscrew (64mm max. door thickness); alternative spindle lengths and functions are available - see pages ST6:070 & 080.

Installation instructions supplied.

How to Order

Split Finish Sets - order as singles

1) select LEVER (e.g. 7733)

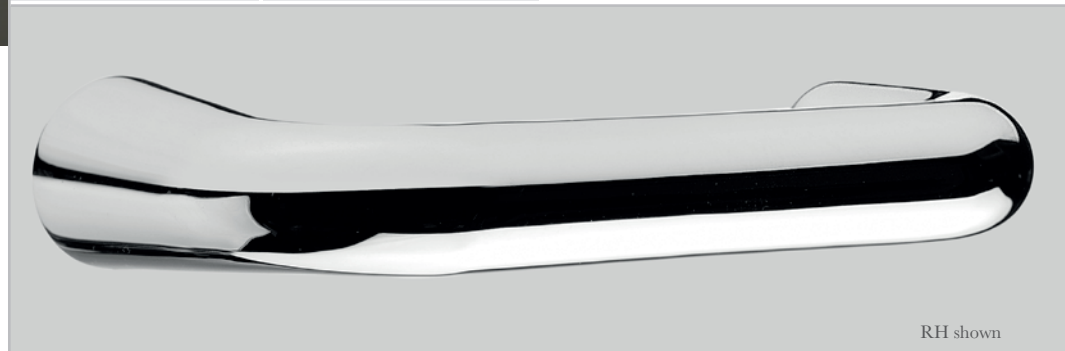
2) add FINISH (e.g. 7733PC)

If single lever only required add HANDING (e.g. 7733PC/RH).

For single lever as exterior pairing with a CREMONE BOLT add CM to code (e.g. 7733PC/CM) - see DB3:200.

Backplates and Rosettes ordered separately - see sections ST3 and ST4.

Finishes - See our price list or website for finish availability.



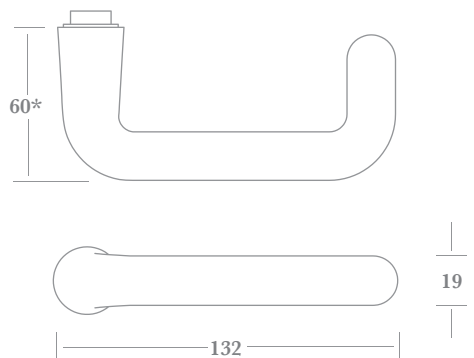
RH shown

▲ 7776



▲ shown with 6011A plate

▲ shown with 7847B rosette

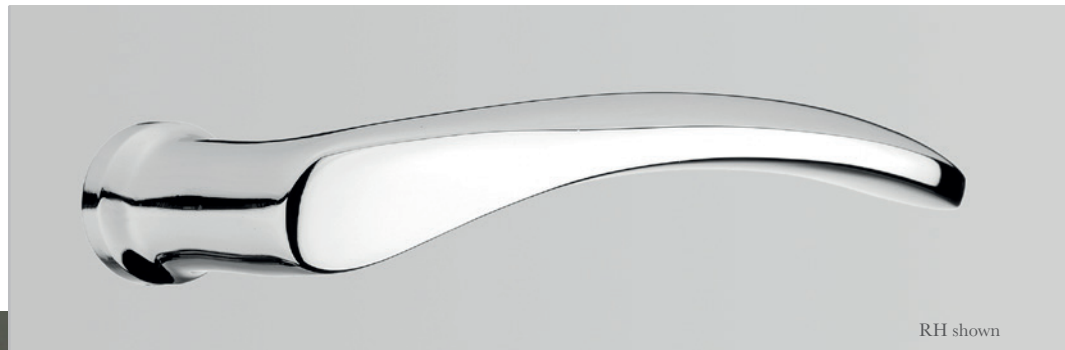


* total projection: add 7mm for rosette, 6mm for backplate with flush collar & 10mm for plate with raised collar.

Door Levers

Two classic 1950's period Door Levers designed to work in conjunction with the Rosettes & Backplates to be found in sections ST3 & ST4.

Complementary Thumb Turns can be found in section ST7.



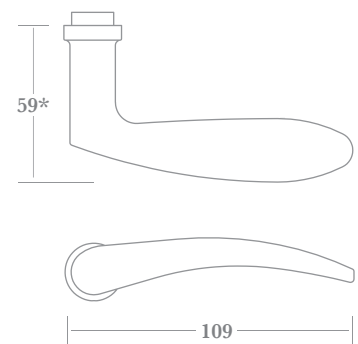
RH shown

▲ 7710



▲ shown with 5911A plate

▲ shown with 7844B rosette



* total projection: add 7mm for rosette, 6mm for backplate with flush collar & 10mm for plate with raised collar.

Fixings

Supplied with 8mm x 110mm stainless steel lockpoint spindle and M6 grubscrew (64mm max. door thickness); alternative spindle lengths and functions are available - see pages ST6:070 & 080.

Installation instructions supplied.

How to Order

Split Finish Sets - order as singles

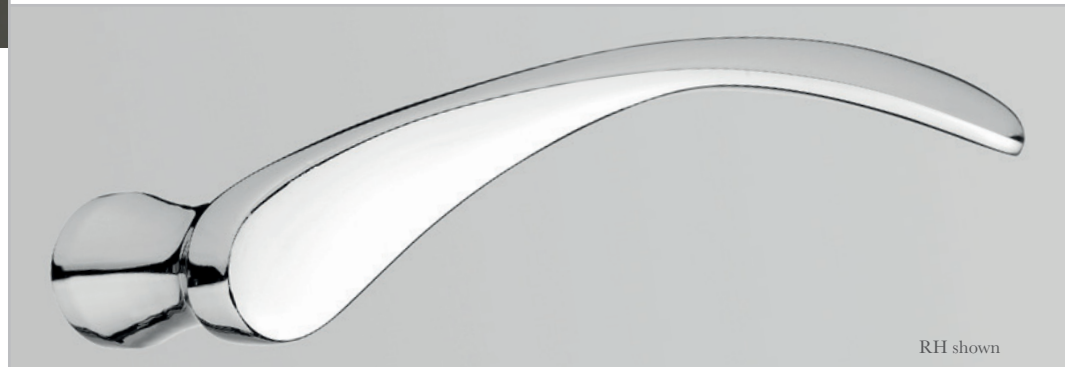
- 1) select LEVER (e.g. 7710)
- 2) add FINISH (e.g. 7710PC)

If single lever only required add HANDING (e.g. 7710PC/RH).

For single lever as exterior pairing with a CREMONE BOLT add CM to code (e.g. 7710PC/RH/CM) - see DB3:200.

Backplates and Rosettes ordered separately - see sections ST3 and ST4.

Finishes - See our price list or website for finish availability.



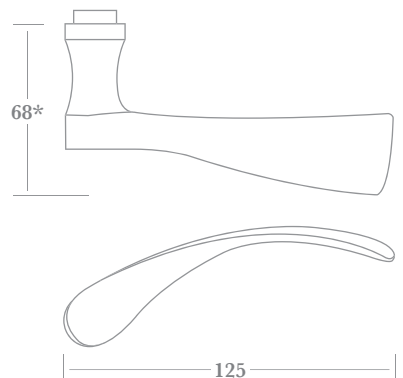
RH shown

▲ 7714



▲ shown with 4711A plate

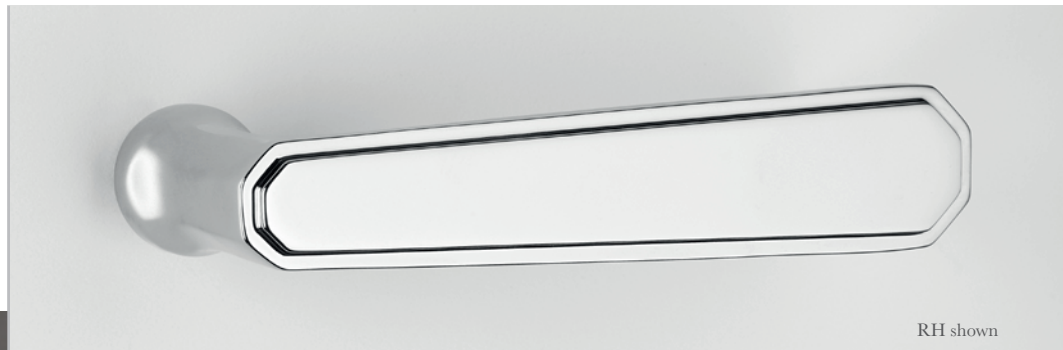
▲ shown with 7844B rosette



* total projection: add 7mm for rosette, 6mm for backplate with flush collar & 10mm for plate with raised collar.

Door Levers

One Art Deco and two 1950's period Door Levers - designed to work in conjunction with the Rosettes & Backplates to be found in sections ST3 & ST4. Complementary Thumb Turns can be found in section ST7.



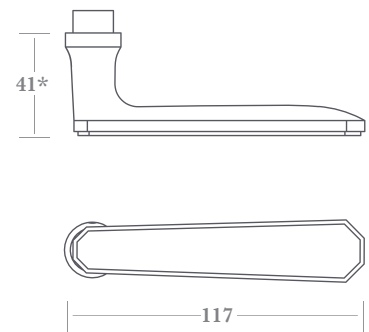
RH shown

▲ 7736



▲ shown with 6611A plate

▲ shown with 7841B rosette



* total projection: add 7mm for rosette, 6mm for backplate with flush collar & 10mm for plate with raised collar.

Fixings

Supplied with 8mm x 110mm stainless steel lockpoint spindle and M6 grubscrew (64mm max. door thickness); alternative spindle lengths and functions are available - see pages ST6:070 & 080. Installation instructions supplied.

How to Order

Split Finish Sets - order as singles

1) select LEVER (e.g. 7736)

2) add FINISH (e.g. 7736PC)

If single lever only required add HANDING (e.g. 7736PC/RH).

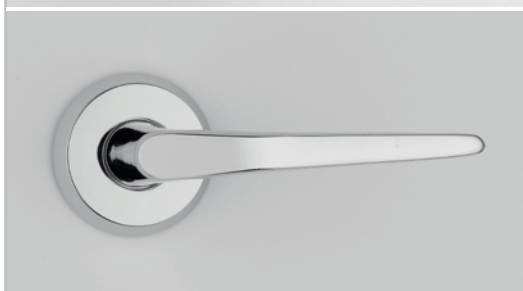
For single lever as exterior pairing with a CREMONE BOLT add CM to code (e.g. 7736PC/CM) - see DB3:200.

Backplates and Rosettes ordered separately - see sections ST3 and ST4.

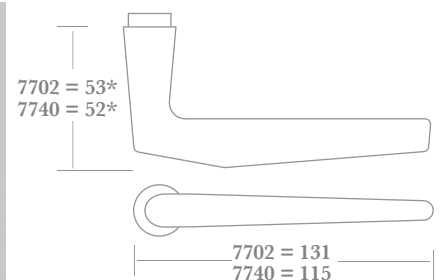
Finishes - See our price list or website for finish availability.



RH shown



▲ 7740 shown with 7844B rosette



* for total projection add rosette/backplate thickness (including raised collar if chosen).

Door Levers

Two classic Regency Scroll Door Levers designed to work in conjunction with the Rosettes & Backplates to be found in sections ST3 & ST4.

Complementary Thumb Turns can be found in section ST7.



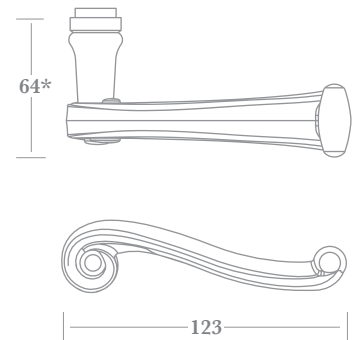
RH shown

▲ 7762



▲ shown with 5911A plate

▲ shown with 7841B rosette



* total projection: add 7mm for rosette, 6mm for backplate with flush collar & 10mm for plate with raised collar.

Fixings

Supplied with 8mm x 110mm stainless steel lockpoint spindle and M6 grubscrew (64mm max. door thickness); alternative spindle lengths and functions are available - see pages ST6:070 & 080.

Installation instructions supplied.

How to Order

Split Finish Sets - order as singles

1) select LEVER (e.g. 7767)

2) add FINISH (e.g. 7767PC).

If single lever only required add HANDING (e.g. 7767PC/RH).

For single lever as exterior pairing with a CREMONE BOLT add CM to code (e.g. 7767PC/RH/CM) - see DB3:200.

Backplates and Rosettes ordered separately - see sections ST3 and ST4.

Finishes - See our price list or website for finish availability.



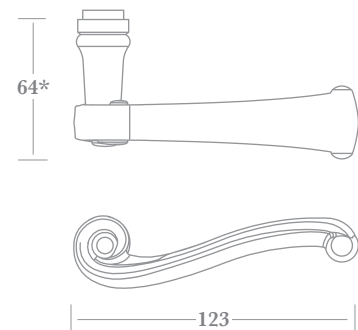
RH shown

▲ 7767



▲ shown with 6011A plate

▲ shown with 7834B rosette



* total projection: add 7mm for rosette, 6mm for backplate with flush collar & 10mm for plate with raised collar.

Door Levers

Two classic Edwardian Scroll Door Levers designed to work in conjunction with the Rosettes & Backplates to be found in sections ST3 & ST4. Complementary Thumb Turns can be found in section ST7.



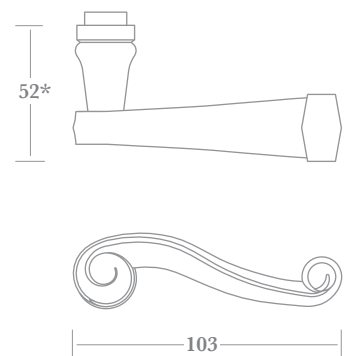
RH shown

▲ 7761



▲ shown with **6011A** plate

▲ shown with **7822B** rosette



* total projection: add 7mm for rosette, 6mm for backplate with flush collar & 10mm for plate with raised collar.

Fixings

Supplied with 8mm x 110mm stainless steel lockpoint spindle and M6 grubscrew (64mm max. door thickness); alternative spindle lengths and functions are available - see pages ST6:070 & 080.

Installation instructions supplied.

How to Order

Split Finish Sets - order as singles

1) select LEVER (e.g. **7766**)

2) add FINISH (e.g. **7766PC**)

If single lever only required add HANDING (e.g. **7766PC/RH**).

For single lever as exterior pairing with a CREMONE BOLT add CM to code (e.g. **7766PC/RH/CM**) - see DB3:200.

Backplates and Rosettes ordered separately - see sections ST3 and ST4.

Finishes - See our price list or website for finish availability.



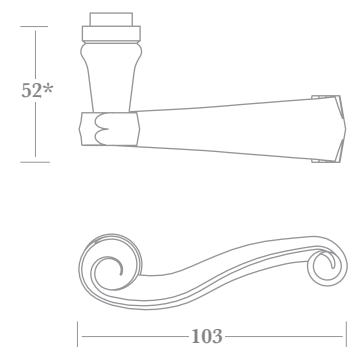
RH shown

▲ 7766



▲ shown with **5911A** plate

▲ shown with **7847B** rosette

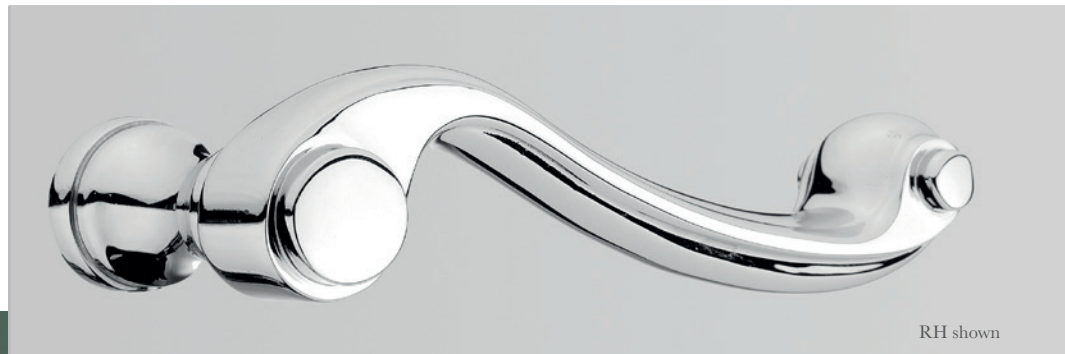


* total projection: add 7mm for rosette, 6mm for backplate with flush collar & 10mm for plate with raised collar.

Door Levers

Two classic Georgian Scroll Door Levers designed to work in conjunction with the Rosettes & Backplates to be found in sections ST3 & ST4.

Complementary Thumb Turns can be found in section ST7.



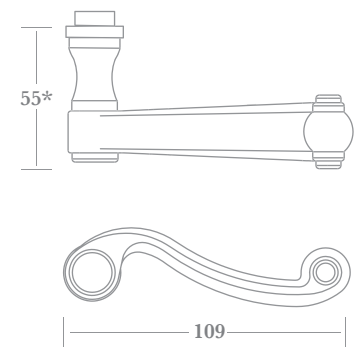
RH shown

▲ 7720



▲ shown with 6011A plate

▲ shown with 7847B rosette



* total projection: add 7mm for rosette, 6mm for backplate with flush collar & 10mm for plate with raised collar.

Fixings

Supplied with 8mm x 110mm stainless steel lockpoint spindle and M6 grubscrew (64mm max. door thickness); alternative spindle lengths and functions are available - see pages ST6:070 & 080.

Installation instructions supplied.

How to Order

Split Finish Sets - order as singles

1) select LEVER (e.g. 7720)

2) add FINISH (e.g. 7720PC)

If single lever only required add HANDING (e.g. 7720PC/RH).

For single lever as exterior pairing with a CREMONE BOLT add CM to code (e.g. 7720PC/RH/CM) - see DB3:200.

Backplates and Rosettes ordered separately - see sections ST3 and ST4.

Finishes - See our price list or website for finish availability.



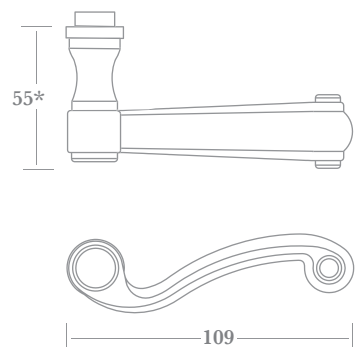
RH shown

▲ 7724



▲ shown with 5911A plate

▲ shown with 7834B rosette



* total projection: add 7mm for rosette, 6mm for backplate with flush collar & 10mm for plate with raised collar.

Door Lever

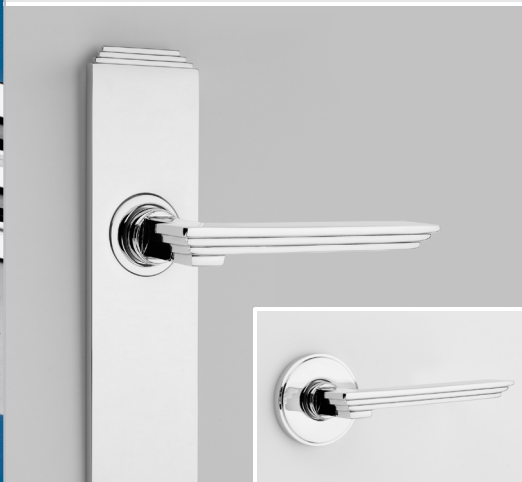
An Art Deco inspired Door Lever and a modern starburst Door Lever, designed to work in conjunction with the Rosettes & Backplates to be found in sections ST3 & ST4.

Complementary Thumb Turns can be found in section ST7.



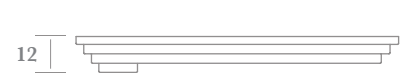
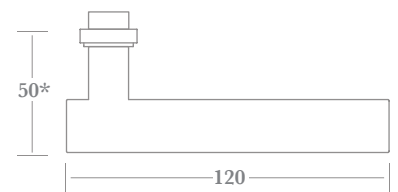
RH shown

▲ 7730



▲ shown with 3221B plate

▲ shown with 7842B rosette



* total projection: add rosette or backplate thickness including collar.

Fixings

Supplied with 8mm x 110mm stainless steel lockpoint spindle and M6 grubscrew (64mm max. door thickness); alternative spindle lengths and functions are available - see pages ST6:070 & 080.

Installation instructions supplied.

How to Order

Split Finish Sets - order as singles

1) select LEVER (e.g. 7730)

PLEASE NOTE: To work with Sprung Rosettes, the Lever needs to be machined to fit and 'SPG' must be added to the code eg. 7730SPG/...

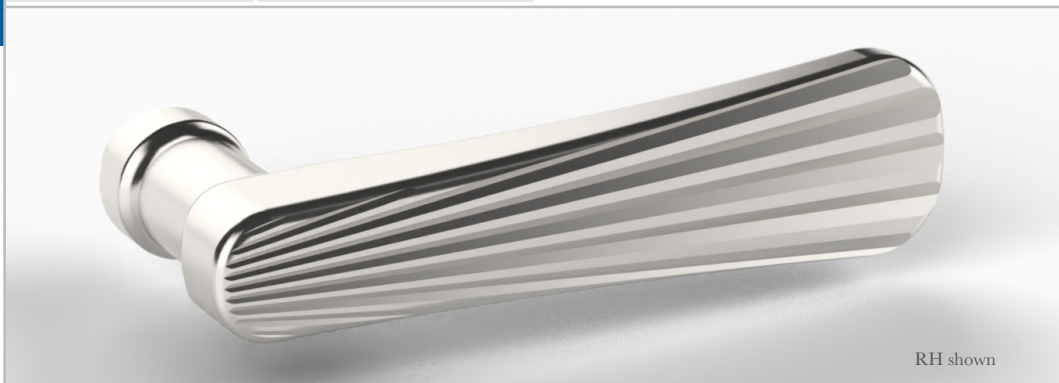
2) add FINISH (e.g. 7730PC)

If single lever only required add HANDING (e.g. 7730PC/RH).

For single lever as exterior pairing with a CREMONE BOLT add CM to code (e.g. 7730PC/RH/CM) - see DB3:200.

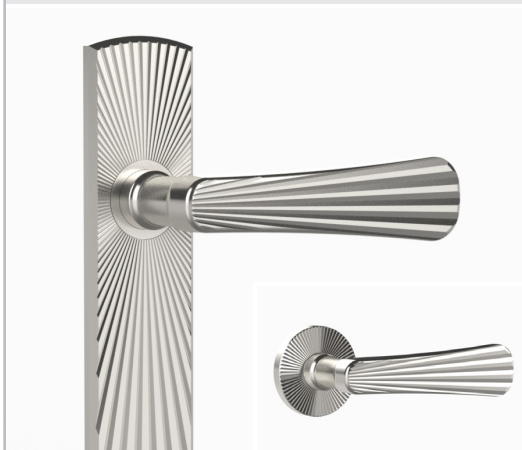
Backplates and Rosettes ordered separately - see sections ST3 and ST4.

Finishes - See our price list or website for finish availability.



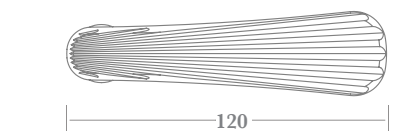
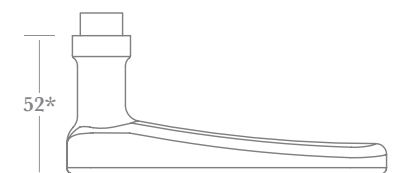
RH shown

▲ 7701



▲ shown with 5111A plate

▲ shown with 7831B rosette



* total projection: add rosette or backplate thickness including collar.