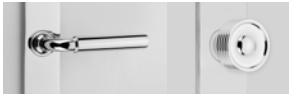


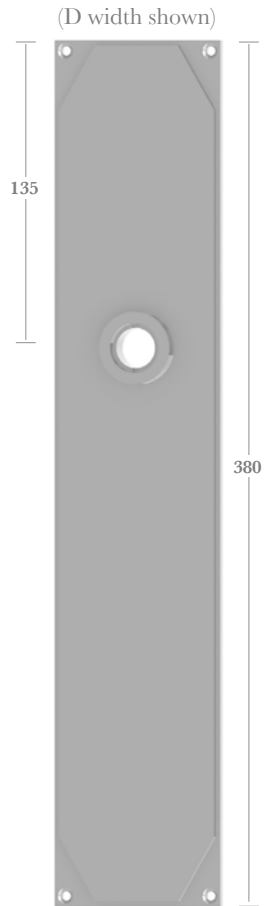
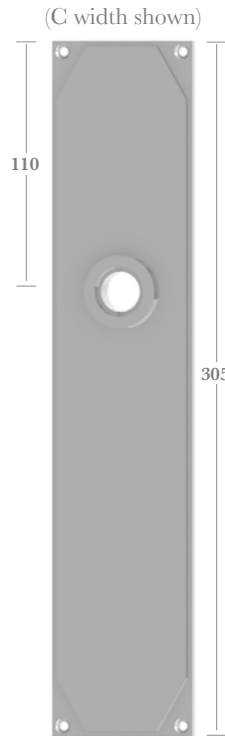
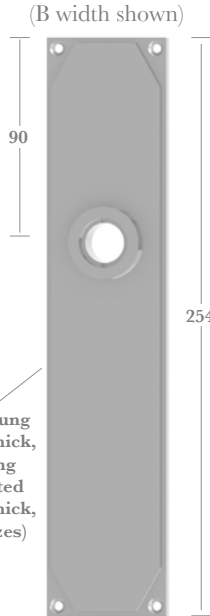
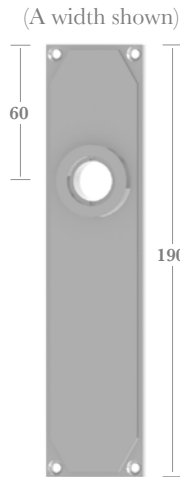
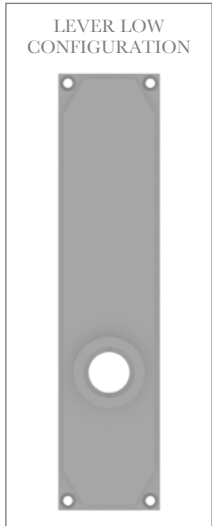
# Backplates - Latch (Passage) - Face Fixed

66 Series Plates with type J collar illustrated



Face Fixed Plates can be supplied with Allart Select Levers or Knobs attached (circlip fixed).

**OPTIONS:**  
 Plate designs - ST4  
 Seating/Collars - ST6:010  
 Lever/Knob designs - ST1 & ST2



Unsprung 6mm thick,  
 Spring Assisted 9mm thick,  
 (all sizes)

<b>Plate Length</b>	190mm	254mm	305mm	380mm
<b>Length &amp; Function Code</b>	--61	--71	--81	--91

All Plate Lengths are available in the following widths:

<b>Plate Width</b>	38mm	44mm	54mm	64mm	76mm
<b>Code</b>	AA*	A	B	C	D

\* Availability dependent on Backplate design - see section ST4 for details

## Fixings

Supplied with finish matched no.6 wood screws, alignment collars and installation instructions. An 8mm x 110mm Stainless Steel Lockpoint Spindle and grubscrews are supplied when Lever/Knob attached. Spring Assisted Sets supplied with a 125mm spindle to suit doors up to 76mm thick.

## How to Order Split Finish Sets - order as singles

### Pair of Plates with Levers/Knobs attached:

- 1) select PLATE DESIGN (e.g. 66 series)
- 2) add LENGTH & FUNCTION code (e.g. 6671)
- 3) add SPRING ASSIST if required, see below (e.g. 6671S)
- 4) add WIDTH code (e.g. 6671S/B)
- 5) add COLLAR DESIGN (e.g. 6671S/B/J)
- 6) add FINISH (e.g. 6671S/B/J/PN)
- 7) add LEVER/KNOB code (e.g. 6671S/B/J/PN/7774).

For FIX DEAD add FDS (e.g. 6671B/J/PN/7774/FDS).

### Single Plate with Lever/Knob attached:

For SINGLE PLATE with LEVER add HANDING LH or RH (e.g. 6671S/B/J/PN/7774RH).

For SINGLE PLATE with KNOB add /H (e.g. 6671B/J/PN/7621/H).

For FIX DEAD single plate add FD (e.g. 6671B/J/PN/7621/H/FD or 6671B/J/PN/7774RH/FD).

### Pair of Plates Only: (not available Spring Assisted)

- 1) select PLATE DESIGN (e.g. 66 series)
- 2) add LENGTH & FUNCTION code (e.g. 6671)
- 3) add WIDTH code (e.g. 6671/B)
- 4) add COLLAR DESIGN (e.g. 6671/B/J)
- 5) add FINISH (e.g. 6671/B/J/PN).

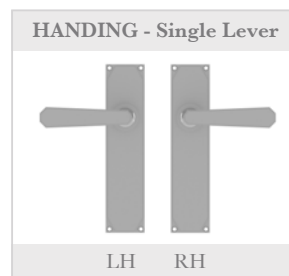
For FIX DEAD add FDS (e.g. 6671/B/J/PN/FDS).

### Single Plates Only: (not available Spring Assisted)

For SINGLE PLATE add H (e.g. 6671/B/J/PN/H).

For FIX DEAD single plate add FD (e.g. 6671B/J/PN/H/FD).

**SPRING ASSISTED PLATES (9mm thick). These require a raised collar (G seating is not possible) see page ST5:210 for illustration.**



**LEVER LOW CONFIGURATION**

To order Plates with Levers attached for Lever Low application add X into code after PLATE DESIGN (e.g. 68X67...)

NB. Plates Only can simply be reversed for Lever Low application.

**FIX DEAD DUMMY OPTION**

Plates with Lever/ Knob attached - achieved by custom machining both the Plate & Lever/ Knob, then fixing together with a lockbolt.

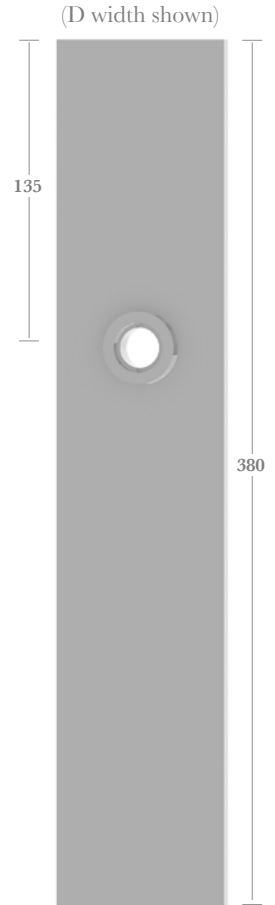
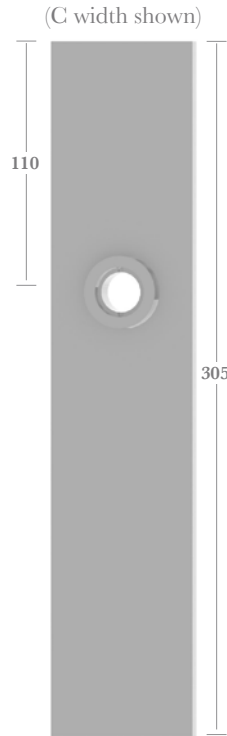
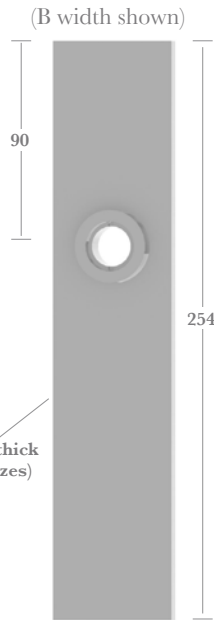
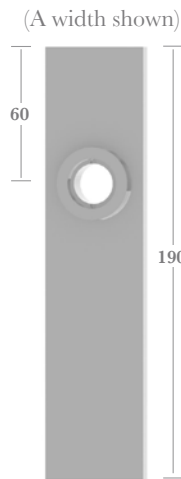
Plates Only - supplied with a 7813 Fix Dead Dummy Mount.

# Backplates - Latch (Passage) - Concealed Fix

49 Series Plates with type J collar illustrated

Concealed Fix Plates cannot be supplied with Levers or Knobs attached. Door Levers & Knobs are ordered separately - see sections ST1 & ST2.

OPTIONS:  
Plate designs - ST4  
Seating/Collars - ST6:010



<b>Plate Length</b>	190mm	254mm	305mm	380mm
<b>Length &amp; Function Code</b>	--11	--21	--31	--41

All Plate Lengths are available in the following widths:

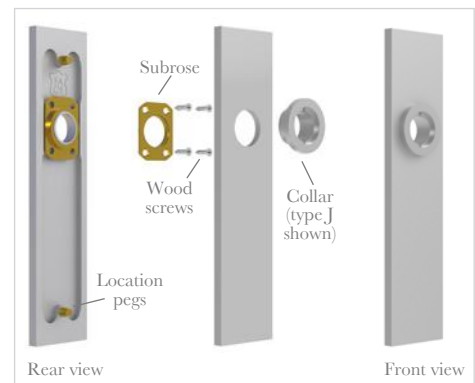
<b>Plate Width</b>	38mm	44mm	54mm	64mm	76mm
<b>Code</b>	AA*	A	B	C	D

\* Availability dependent on Backplate design - see section ST4 for details

## Fixings

Supplied with subroses, no.4 x 13mm wood screws, alignment collars and installation instructions.

Fix Dead Plates are supplied with 7813 mounts in place of standard subroses - see page ST6:080 for details.



## How to Order Split Finish Sets - order as singles

### Pair of Plates:

- 1) select PLATE DESIGN (e.g. 49 series)
- 2) add LENGTH & FUNCTION code (e.g. 4911)
- 3) add WIDTH code (e.g. 4911A)
- 4) add COLLAR DESIGN (e.g. 4911A/J)
- 5) add FINISH (e.g. 4911A/J/SN)

For FIX DEAD pair of plates add FDS (e.g. 4900B/J/PB/FDS).

### Single Plate only:

For SINGLE PLATE add/H (e.g. 4911A/J/SN/H).

For FIX DEAD single plate add FD (e.g. 4911B/J/PB/H/FD).

### LEVER LOW CONFIGURATION

Latch (Passage) Backplates can be ordered as shown and reversed for Lever Low application



7813



7813 (shown fitted)

FIX DEAD DUMMY OPTION



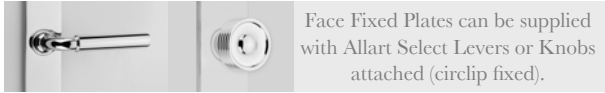
SUBROSES SUPPLIED



ALIGNMENT COLLARS SUPPLIED

## Backplates - Keyhole - Face Fixed

59 Series Plates with type K collar illustrated (and R06 Cover where shown)



Face Fixed Plates can be supplied with Allart Select Levers or Knobs attached (circlip fixed).

### OPTIONS:

- Plate designs - ST4
- Seating/Collars - ST6:010
- Swing Covers - ST6:040
- Lever/Knob designs - ST1 & ST2

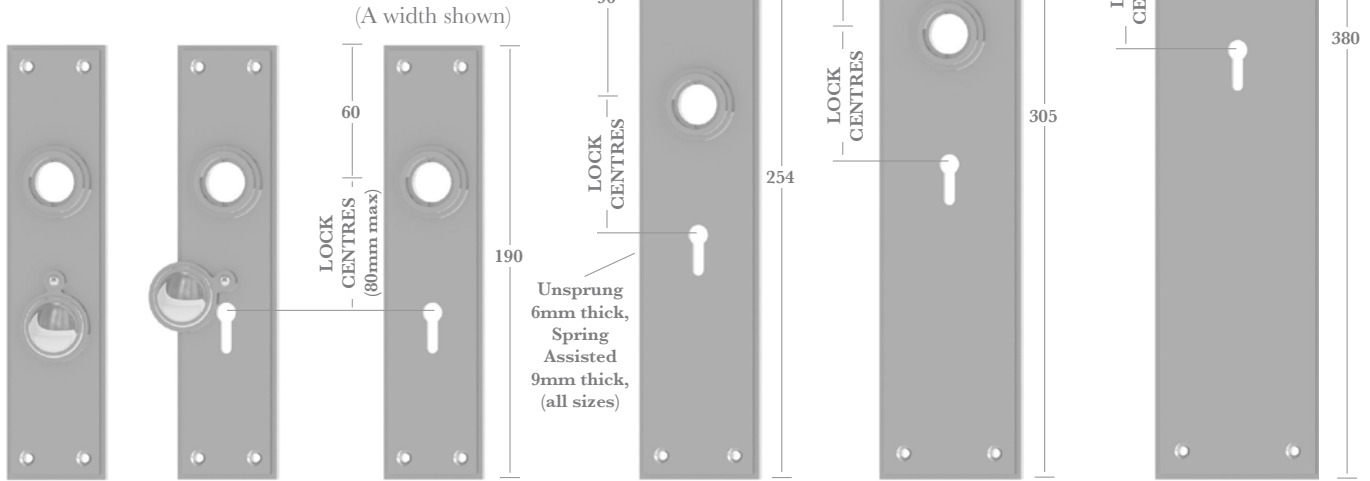


Plate Length	190mm	254mm	305mm	380mm
Keyhole only	--62	--72	--82	--92
Keyhole with Cover	--63	--73	--83	--93

All Plate Lengths are available in the following widths:

Plate Width	38mm	44mm	54mm	64mm	76mm
Code	AA*	A	B	C	D

\* Availability dependent on Backplate design - see section ST4 for details

### Fixings

Supplied with finish matched no.6 wood screws, alignment collars and installation instructions. An 8mm x 110mm Stainless Steel Lockpoint Spindle and grubscrews are supplied when Lever/Knob attached. Spring Assisted Sets supplied with a 125mm spindle to suit doors up to 76mm thick.

### How to Order - Keyhole only

#### Pair of Plates with Levers/Knobs attached:

- 1) select PLATE DESIGN (e.g. 59 series)
- 2) add LENGTH & FUNCTION code (e.g. 5972)
- 3) add SPRING ASSIST if required (e.g. 5972S)
- 4) add WIDTH code (e.g. 5972S/B)
- 5) add LOCK CENTRES (e.g. 5972S/B57)
- 6) add COLLAR DESIGN (e.g. 5972S/B57K)
- 7) add FINISH (e.g. 5972S/B57K/PN)
- 8) add LEVER/KNOB code (e.g. 5972S/B57K/PN/7774)

#### Single Plate with Levers/Knobs attached:

For SINGLE PLATE with LEVER add HANDING LH or RH (e.g. 5972S/B57K/PN/7774RH).

For SINGLE PLATE with KNOB add/H (e.g. 5972B57K/PN/7621/H).

#### Pair of Plates only: (not available Spring Assisted)

- 1) select PLATE DESIGN (e.g. 59 series)
- 2) add LENGTH & FUNCTION code (e.g. 5972)
- 3) add WIDTH code (e.g. 5972/B)
- 4) add LOCK CENTRES (e.g. 5972/B57)
- 5) add COLLAR DESIGN (e.g. 5972/B57K)
- 6) add FINISH (e.g. 5972/B57K/PN).

#### Single Plate only:

For SINGLE PLATE add/H (e.g. 5972B57K/PN/H).

### How to Order - Keyhole with Cover

#### Pair of Plates with Levers/Knobs attached:

- 1) select PLATE DESIGN (e.g. 59 series)
- 2) add LENGTH & FUNCTION code (e.g. 5973)
- 3) add SPRING ASSIST if required (e.g. 5973S)
- 4) add WIDTH code (e.g. 5973S/B)
- 5) add LOCK CENTRES (e.g. 5973S/B57)
- 6) add COLLAR DESIGN (e.g. 5973S/B57K)
- 7) add COVER code (e.g. 5973S/B57K/R06)
- 8) add FINISH (e.g. 5973S/B57K/R06/PN)
- 9) add LEVER/KNOB code (e.g. 5973S/B57K/R06/PN/7774).

#### Single Plate with Levers/Knobs attached:

For SINGLE PLATE with LEVER add HANDING LH or RH (e.g. 5973S/B57K/R06/PN/7774RH).

For SINGLE PLATE with KNOB add/H (e.g. 5973B57K/R06/PN/7621/H).

#### Pair of Plates only: (not available Spring Assisted)

- 1) select PLATE DESIGN (e.g. 59 series)
- 2) add LENGTH & FUNCTION code (e.g. 5973)
- 3) add WIDTH code (e.g. 5973B)
- 4) add LOCK CENTRES (e.g. 5973B57)
- 5) add COLLAR DESIGN (e.g. 5973B57K)
- 6) add COVER CODE (e.g. 5973B57K/R06)
- 7) add FINISH (e.g. 5973B57K/R06/PN).

#### Single Plate only: (not available Spring Assisted)

For SINGLE PLATE add/H (e.g. 5973B57K/R06/PN/H).

Split Finish Sets - order as singles

**SPRING ASSISTED PLATES (9mm thick).** These require a raised collar (G seating is not possible) see page ST5:210 for illustration.

HANDING - Single Lever



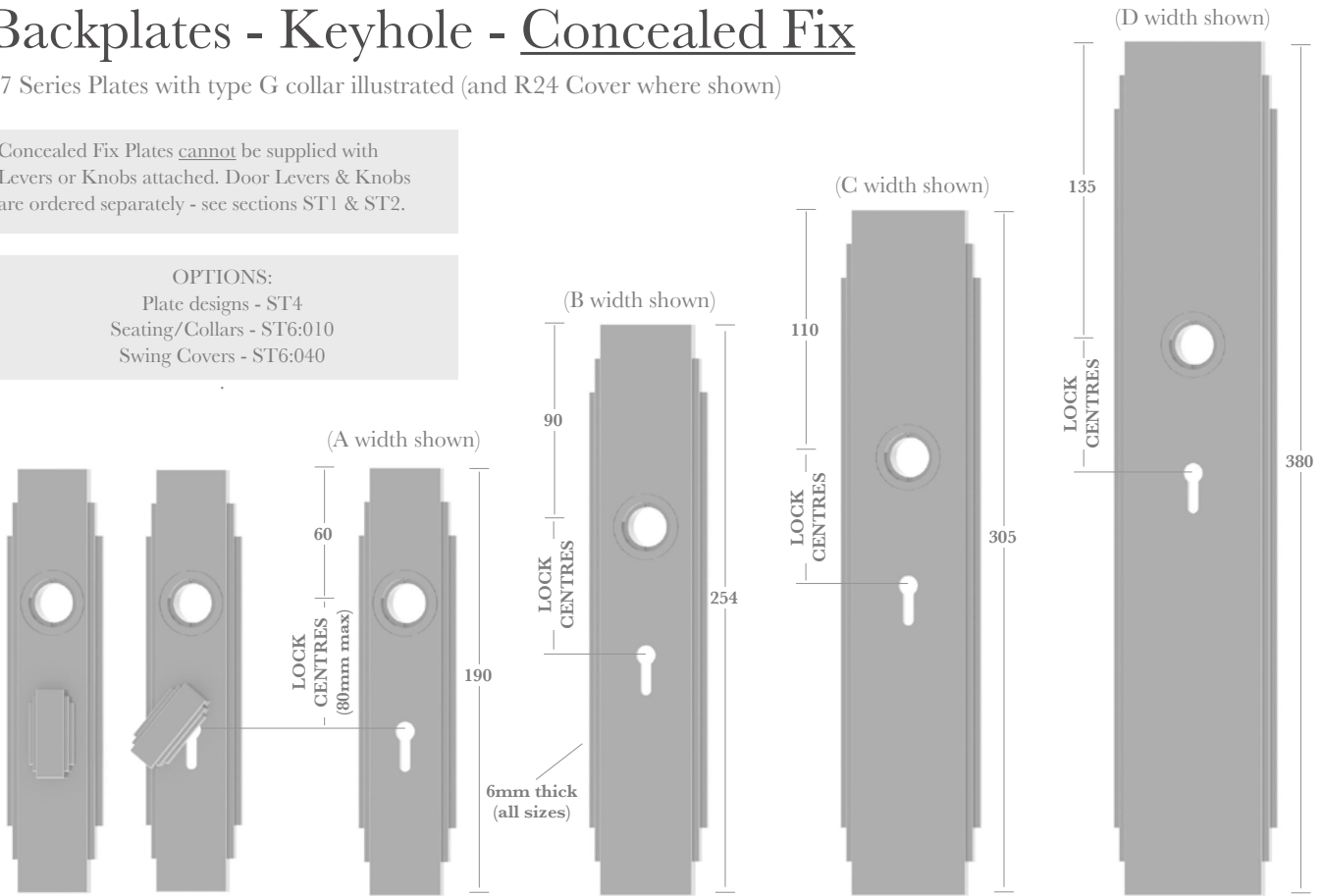
LH RH

# Backplates - Keyhole - Concealed Fix

67 Series Plates with type G collar illustrated (and R24 Cover where shown)

Concealed Fix Plates **cannot** be supplied with Levers or Knobs attached. Door Levers & Knobs are ordered separately - see sections ST1 & ST2.

**OPTIONS:**  
 Plate designs - ST4  
 Seating/Collars - ST6:010  
 Swing Covers - ST6:040



<b>Plate Length</b>	190mm	254mm	305mm	380mm
<b>Keyhole only</b>	--12	--22	--32	--42
<b>Keyhole with Cover</b>	--13	--23	--33	--43

All Plate Lengths are available in the following widths:

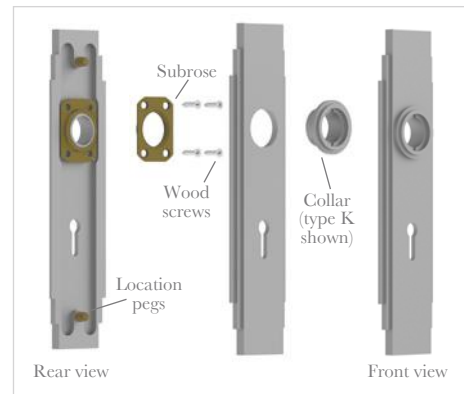
<b>Plate Width</b>	38mm	44mm	54mm	64mm	76mm
<b>Code</b>	AA*	A	B	C	D

\* Availability dependent on Backplate design - see section ST4 for details

## Fixings

Supplied with subroses, no.4 x 13mm wood screws, alignment collars and installation instructions.

Split Finish Sets - order as singles



## How to Order - Keyhole only

### Pair of Plates:

- 1) select PLATE DESIGN (e.g. **67** series)
- 2) add LENGTH & FUNCTION code (e.g. **6712**)
- 3) add WIDTH code (e.g. **6712A**)
- 4) add LOCK CENTRES (e.g. **6712A57**)
- 5) add COLLAR DESIGN (e.g. **6712A57G**)
- 6) add FINISH (e.g. **6712A57G/PC**).

### Single Plate only:

For SINGLE PLATE add/H (e.g. **6712A57G/PC/H**).

## How to Order - Keyhole with Cover

### Pair of Plates:

- 1) select PLATE DESIGN (e.g. **67** series)
- 2) add LENGTH & FUNCTION code (e.g. **6713**)
- 3) add WIDTH code (e.g. **6713A**)
- 4) add LOCK CENTRES (e.g. **6713A57**)
- 5) add COLLAR DESIGN (e.g. **6713A57G**)
- 6) add COVER code (e.g. **6713A57G/R24**)
- 7) add FINISH (e.g. **6713A57G/R24/PC**).

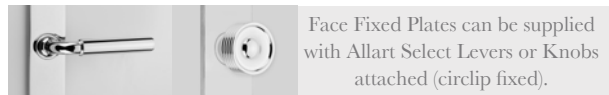
### Single Plate only:

For SINGLE PLATE add/H (e.g. **6713A57G/R24/PC/H**).



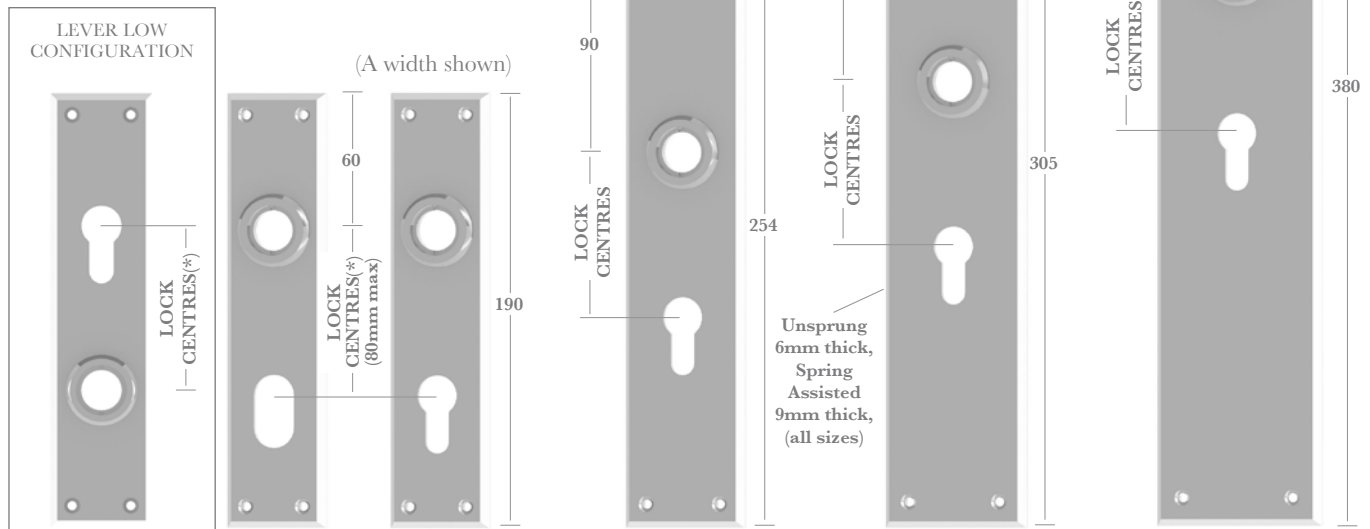
# Backplates - Profile Cylinders - Face Fixed

47 Series Plates with type F collar illustrated



Face Fixed Plates can be supplied with Allart Select Levers or Knobs attached (circlip fixed).

**OPTIONS:**  
 Plate designs - ST4  
 Seating/Collars - ST6:010  
 Lever/Knob designs - ST1 & ST2



(\*) Minimum lock centres for spring assisted 190mm plate is 72mm

Plate Length	190mm	254mm	305mm	380mm
Oval Cylinder †	--64	--74	--84	--94
Euro Cylinder	--65	--75	--85	--95

† cutout for standard 32 x 18mm oval cylinder (larger cutouts available upon request)

All Plate Lengths are available in the following widths:

Plate Width	38mm	44mm	54mm	64mm	76mm
Code	AA*	A	B	C	D

\* Availability dependent on Backplate design - see section ST4 for details

## Fixings

Supplied with finish matched no.6 wood screws, alignment collars and installation instructions. An 8mm x 110mm Stainless Steel Lockpoint Spindle and grub screws are supplied when Lever/Knob attached. Spring Assisted Sets supplied with a 125mm spindle to suit doors up to 76mm thick.

## How to Order

Split Finish Sets - order as singles

### Pair of Plates with Levers/Knobs attached:

- select PLATE DESIGN (e.g. 47 series)
  - add LENGTH & FUNCTION code (e.g. 4765)
  - add SPRING ASSIST if required, see below (e.g. 4765S)
  - add WIDTH code (e.g. 4765SA)
  - add LOCK CENTRES (e.g. 4765S/A72)
  - add COLLAR DESIGN (e.g. 4765S/A72F)
  - add FINISH (e.g. 4765S/A72F/PB)
  - add LEVER/KNOB (e.g. 4765S/A72F/PB/7774).
- For FIX DEAD add FDS  
 (e.g. 4765S/A72F/PB/7774/FDS).

### Single Plate with Lever/Knob attached:

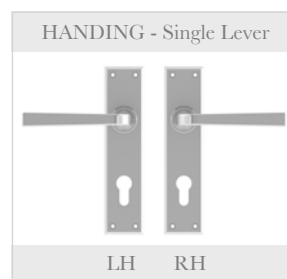
- For SINGLE PLATE with LEVER add HANDING LH or RH (e.g. 4765S/A72F/PB/7774RH).
- For SINGLE PLATE with KNOB add/H (e.g. 4765A72F/PB/7621/H).
- For FIX DEAD single plate add FD  
 (e.g. 4765A72F/PB/7621/H/FD  
 or 4765A72F/PB/7774RH/FD).

### Pair of Plates Only: (not available Spring Assisted)

- select PLATE DESIGN (e.g. 47 series)
  - add LENGTH & FUNCTION code (e.g. 4765)
  - add WIDTH code (e.g. 4765A)
  - add LOCK CENTRES (e.g. 4765A72)
  - add COLLAR DESIGN (e.g. 4765A72F)
  - add FINISH (e.g. 4765A72F/PN).
- For FIX DEAD add FDS (e.g. 4765A72F/PN/FDS).

### Single Plate Only: (not available Spring Assisted)

- For SINGLE PLATE add/H (e.g. 4765A72F/PN/H).
- For FIX DEAD single plate add FD  
 (e.g. 4765A72F/PN/H/FD).



**LEVER LOW CONFIGURATION**

To order for Lever Low application add **X** into code after PLATE DESIGN (e.g. 47**X**65...).

**FIX DEAD DUMMY OPTION**

Plates with Lever/ Knob attached - achieved by custom machining both the Plate & Lever/ Knob, then fixing together with a lockbolt.

Plates Only - supplied with a 7813 Fix Dead Dummy Mount.

**SPRING ASSISTED PLATES (9mm thick). These require a raised collar (G seating is not possible) see page ST5:210 for illustration.**

# Backplates - Profile Cylinders - Concealed Fix

32 Series Plates with type K collar illustrated

Concealed Fix Plates cannot be supplied with Levers or Knobs attached. Door Levers & Knobs are ordered separately - see sections ST1 & ST2.

**OPTIONS:**  
Plate designs - ST4  
Seating/Collars - ST6:010

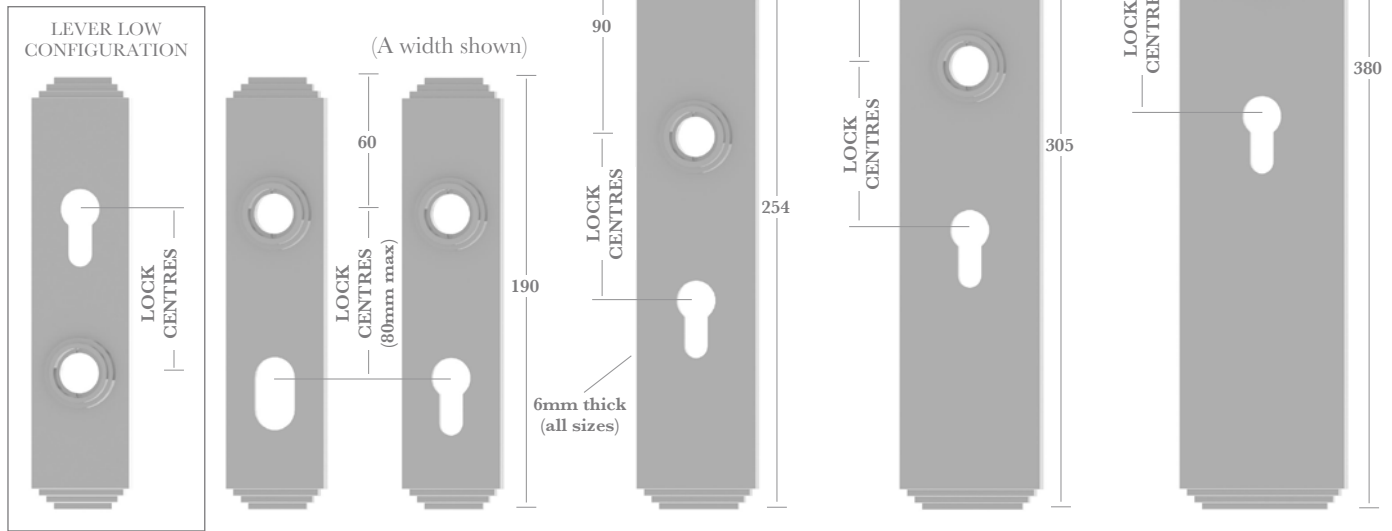


Plate Length	190mm	254mm	305mm	380mm
Oval Cylinder †	--14	--24	--34	--44
Euro Cylinder	--15	--25	--35	--45

† cutout for standard 32 x 18mm oval cylinder (larger cutouts available upon request)

**All Plate Lengths are available in the following widths:**

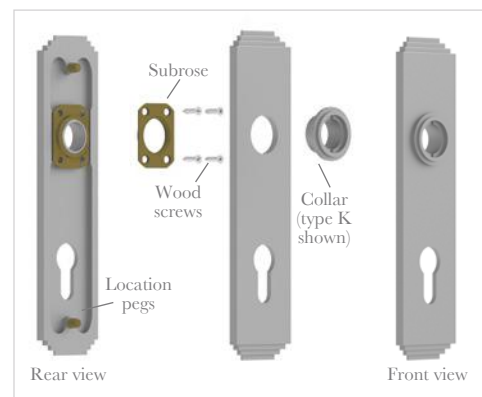
Plate Width	38mm	44mm	54mm	64mm	76mm
Code	AA*	A	B	C	D

\* Availability dependent on Backplate design - see section ST4 for details

## Fixings

Supplied with subroses, no.4 x 13mm wood screws, alignment collars and installation instructions.

Fix Dead Plates are supplied with 7813 mounts in place of standard subroses - see page ST6:080 for details.



## How to Order

Split Finish Sets - order as singles

### Pair of Plates:

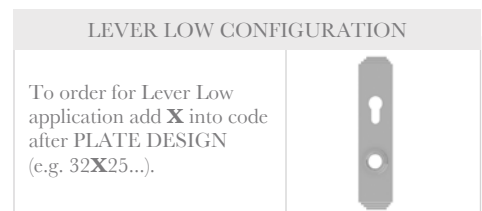
- 1) select PLATE DESIGN (e.g. **32** series)
- 2) add LENGTH & FUNCTION code (e.g. **3225**)
- 3) add WIDTH code (e.g. **3225A**)
- 4) add LOCK CENTRES (e.g. **3225A72**)
- 5) add COLLAR DESIGN (e.g. **3225A72K**)
- 6) add FINISH (e.g. **3225A72K/PC**).

For FIX DEAD pair of plates add FDS (e.g. **3225A72K/PC/FDS**).

### Single Plate only:

For SINGLE PLATE add/H (e.g. **3225A72K/PC/H**).

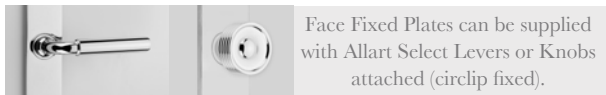
For FIX DEAD single plate add FD (e.g. **3225A72K/PC/H/FD**).





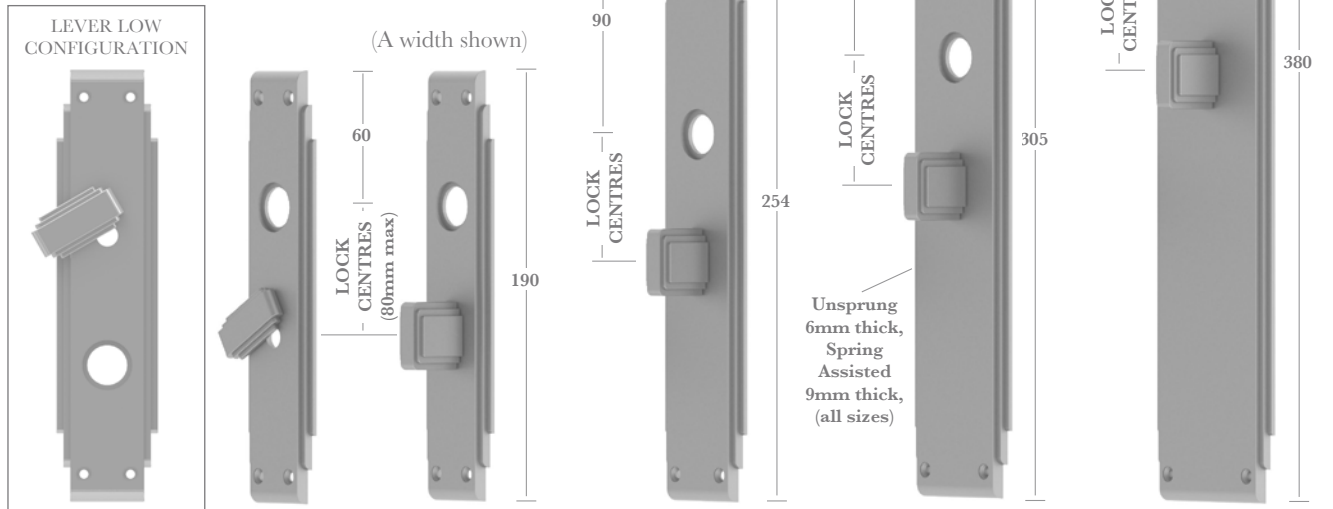
# Backplates - Privacy - Face Fixed

68 Series Plates with type G seating, T55 Turn & R21 Cover illustrated.



Face Fixed Plates can be supplied with Allart Select Levers or Knobs attached (circlip fixed).

**OPTIONS:**  
 Plate designs - ST4  
 Seating/Collars - ST6:010  
 Thumb Turns - ST6:020 & 030  
 Swing Covers/Coin Releases - ST6:040.  
 Lever/Knob designs - ST1 & ST2



<b>Plate Length</b>	190mm	254mm	305mm	380mm
<b>Length &amp; Function Code</b>	--67	--77	--87	--97

All Plate Lengths are available in the following widths:

<b>Plate Width</b>	38mm	44mm	54mm	64mm	76mm
<b>Code</b>	AA*	A	B	C	D

\* Availability dependent on Backplate design - see section ST4 for details

## Fixings

Supplied with finish matched no.6 wood screws, alignment collars and installation instructions. An 8mm x 110mm Stainless Steel Lockpoint Spindle and grubscrews are supplied when Lever/Knob attached. Spring Assisted Sets supplied with a 125mm spindle to suit doors up to 76mm thick.

## How to Order Split Finish Sets - order as singles

### Pair of Plates with Levers/Knobs attached:

- 1) select PLATE DESIGN (e.g. 68 series)
- 2) add LENGTH & FUNCTION code (e.g. 6877)
- 3) add SPRING ASSIST if required (e.g. 6877S)
- 4) add WIDTH code (e.g. 6877S/B)
- 5) add LOCK CENTRES (e.g. 6877S/B57)
- 6) add COLLAR DESIGN (e.g. 6877S/B57L)
- 7) add TURN & SPINDLE ORIENTATION code (e.g. 6877S/B57L/T55D)
- 8) add COVER/RELEASE code (e.g. 6877S/B57L/T55D/R21)
- 9) add FINISH (e.g. 6877S/B57L/T55D/R21/PN)
- 10) add LEVER/KNOB code (e.g. 6877S/B57L/T55D/R21/PN/7732)

LEVERS ONLY - add HANDING LH or RH (e.g. 6877S/B57L/T55D/R21/PN/7732RH).

NB. Privacy Sets with Levers fitted are handed from RELEASE side (see illustration).

### Single Plate with Lever/Knob attached:

Include TURN code or COVER/RELEASE code only (e.g. 6877S/B57L/T55D/PN/7732RH or 6877S/B57L/R21/PN/7732RH).

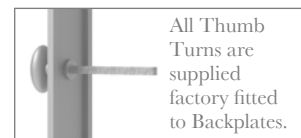
NB. Single Plates with Levers fitted are handed as individual pieces - see handing illustration.

### Pair of Plates Only: (not available Spring Assisted)

- 1) select PLATE DESIGN (e.g. 68 series)
- 2) add LENGTH & FUNCTION code (e.g. 6877)
- 3) add WIDTH code (e.g. 6877B)
- 4) add LOCK CENTRES (e.g. 6877B57)
- 5) add COLLAR DESIGN (e.g. 6877B57G)
- 6) add TURN & SPINDLE ORIENTATION code (e.g. 6877B57G/T55D)
- 7) add COVER/RELEASE code (e.g. 6877B57G/T55D/R21)
- 8) add FINISH (e.g. 6877B57G/T55D/R21/PN).

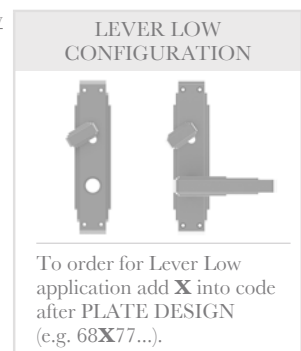
### Single Plate Only: (not available Spring Assisted)

Include either TURN code or COVER/RELEASE code only (e.g. 6877B57G/T55D/PN or 6877B57G/R21/PN).

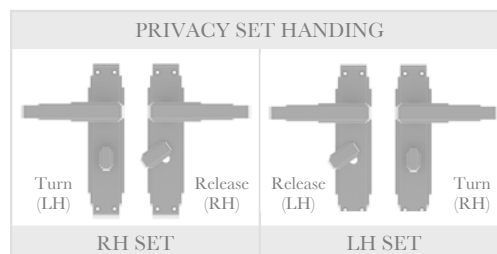


All Thumb Turns are supplied factory fitted to Backplates.

**SPRING ASSISTED PLATES (9mm thick). These require a raised collar (G seating is not possible) see page ST5:210 for illustration.**



To order for Lever Low application add X into code after PLATE DESIGN (e.g. 68X77...).



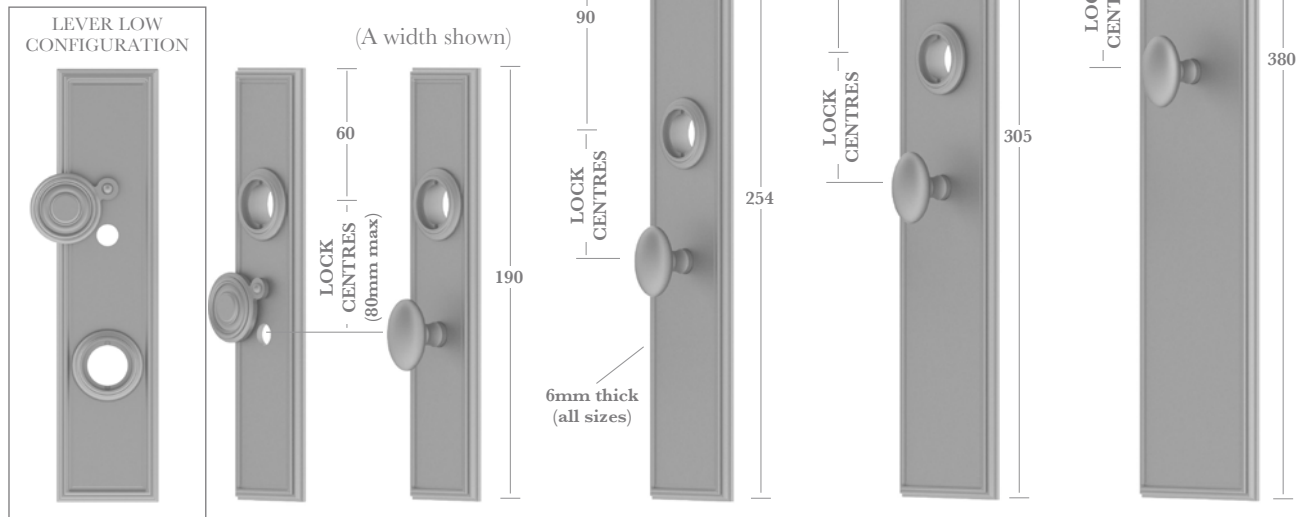
# Backplates - Privacy - Concealed Fix

60 Series Plates with type L collar, T51 Turn, R17 Cover illustrated.

Concealed Fix Plates **cannot** be supplied with Levers or Knobs attached. Door Levers & Knobs are ordered separately - see sections ST1 & ST2.

**OPTIONS:**

- Plate designs - ST4
- Seating/Collars - ST6:010
- Thumb Turns - ST6:020 & 030
- Swing Covers/Coin Releases - ST6:040.

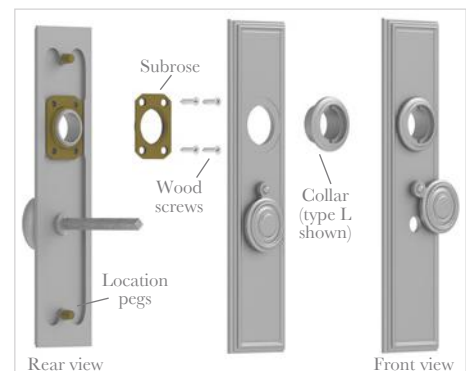


<b>Plate Length</b>	190mm	254mm	305mm	380mm
<b>Length &amp; Function Code</b>	--17	--27	--37	--47

All Plate Lengths are available in the following widths:

<b>Plate Width</b>	38mm	44mm	54mm	64mm	76mm
<b>Code</b>	AA*	A	B	C	D

\* Availability dependent on Backplate design - see section ST4 for details



**NB. All Thumb Turns are supplied factory fitted to Backplates as shown.**

## Fixings

Supplied with subroses, no.4 x 13mm wood screws, alignment collars and installation instructions.

## How to Order

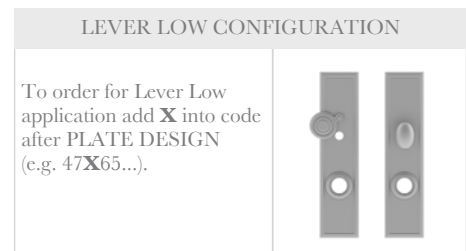
Split Finish Sets - order as singles

### Pair of Plates:

- 1) select PLATE DESIGN (e.g. **60** series)
- 2) add LENGTH & FUNCTION code (e.g. 60**17**)
- 3) add WIDTH code (e.g. 6017**B**)
- 4) add LOCK CENTRES (e.g. 6017**B57**)
- 5) add COLLAR DESIGN (e.g. 6017**B57L**)
- 6) add TURN & SPINDLE ORIENTATION code (e.g. 6017**B57L/T51S**)
- 7) add COVER/RELEASE code (e.g. 6017**B57L/T51S/R17**)
- 8) add FINISH (e.g. 6017**B57L/T51S/R17/PN**).

### Single Plate only:

For SINGLE PLATE - include either TURN or COVER/RELEASE code only (e.g. 6017**B57L/T51S/PN** or 6017**B57L/R17/PN**).



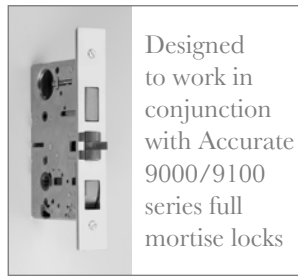


# Backplates - Accurate Mortise Locks - Face Fixed

49 Series Plates with type G seating, T67 Turn & C01 Cylinder option illustrated

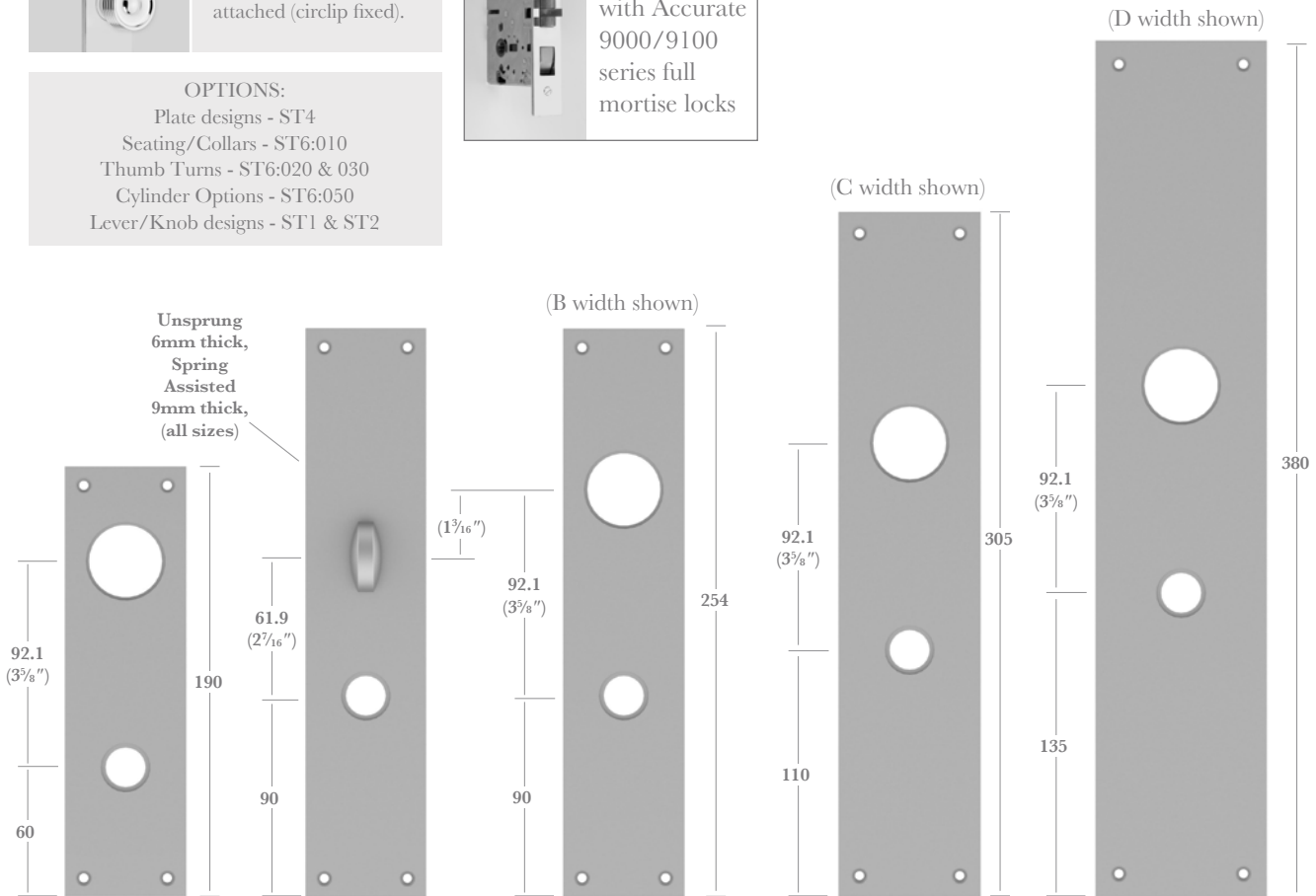


Face Fixed Exterior Door Set Plates can be supplied with Allart Select Levers or Knobs attached (circlip fixed).



Designed to work in conjunction with Accurate 9000/9100 series full mortise locks

**OPTIONS:**  
 Plate designs - ST4  
 Seating/Collars - ST6:010  
 Thumb Turns - ST6:020 & 030  
 Cylinder Options - ST6:050  
 Lever/Knob designs - ST1 & ST2



<b>Plate Length</b>	190mm	254mm	305mm	380mm
<b>Code</b>	--6	--7	--8	--9

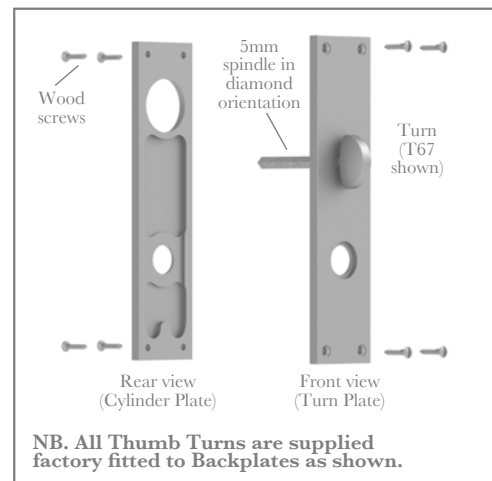
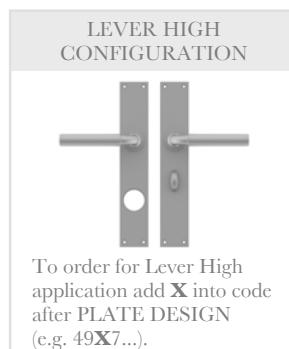
All Plate Lengths are available in the following widths:

<b>Plate Width</b>	44mm	54mm	64mm	76mm
<b>Code</b>	A*	B	C	D

\* Availability dependent on Backplate design - see section ST4 for details

## Fixings

Supplied with finish matched no.6 wood screws, alignment collars and installation instructions. An 8mm x 110mm Stainless Steel Lockpoint Spindle and grub screws are supplied when Lever/Knob attached. Spring Assisted Sets supplied with an 8mm x 125mm stainless steel lockpoint spindle with grub screws, to suit doors up to 76mm thick.



Continues overleaf >

# Backplates - Accurate Mortise Locks - Face Fixed

Function	Double Cylinder	Entry	Patio	Storeroom
Code	A01 or AS01	A02 or AS02	A03 or AS03	A04 or AS04
A = 6mm thick (Unsprung)		(*)		(*)
AS = 9mm thick (Spring Assisted)				
Outside Plate	Cylinder	Cylinder	Plain	Cylinder
Inside Plate	Cylinder	Thumb Turn	Thumb Turn	Plain

(\*) If functions 02 & 04 are required with operating inside handles & fixed dead dummy outside handles, please order two separate single plates as below. **NB. Ensure you order AS version if a 9mm thick plate is required.**

Function	Passage	Cylinder	Thumb Turn	Passage
Code	A05 or AS05	A06 or AS06	A07 or AS07	A08 or AS08
A = 6mm thick (Unsprung)				
AS = 9mm thick (Spring Assisted)				
Outside Plate	Plain	Cylinder	-	Plain
Inside Plate	Plain		Thumb Turn	

## How to Order Split Finish Sets - order as singles

### Plates with Levers/Knobs attached:

- select PLATE DESIGN (e.g. 49 series)
- add LENGTH code (e.g. 497)
- add FUNCTION code (e.g. 497**A02**)
- add WIDTH code (e.g. 497A02**B**)
- add COLLAR DESIGN (e.g. 497A02B/**G**)
- add TURN code if required (e.g. 497A02B/G/**T67**)
- add CYLINDER OPTION code if required (e.g. 497A02B/G/T67/**C01**)
- add FINISH code (e.g. 497A02B/G/T67/C01/**PN**)
- add LEVER/KNOB code (e.g. 497A02B/G/T67/C01/PN/**7774**).

All functions (except A01 & A05) with LEVERS - add HANDING LH or RH (e.g. 497A02B/G/T67/C01/PN/7774**RH**).

NB. Exterior Door Sets are handed from OUTSIDE Plate; Single Plates with Levers attached are handed as per LEVER ORIENTATION - see handing illustrations.

For FIX DEAD pair of plates add FDS to code (e.g. 497A05B/G/PN/7774/**FDS**).

For FIX DEAD single plates add FD to code (e.g. 497A08B/G/PN/7774LH/**FD**).

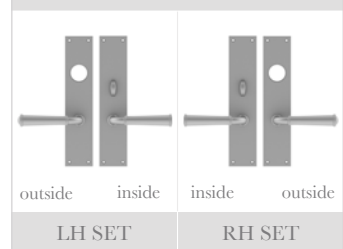
### Plates Only:

- select PLATE DESIGN (e.g. 49 series)
- add LENGTH code (e.g. 497)
- add FUNCTION code (e.g. 497**A02**)
- add WIDTH code (e.g. 497A02**B**)
- add COLLAR DESIGN (e.g. 497A02B/**G**)
- add TURN code if required (e.g. 497A02B/G/**T67**)
- add CYLINDER OPTION code if required (e.g. 497A02B/G/T67/**C01**)
- add FINISH code (e.g. 497A02B/G/T67/C01/**PN**).

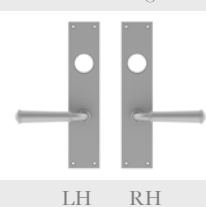
For FIX DEAD pair of plates add FDS to code (e.g. 497A05B/G/PN/**FDS**).

For FIX DEAD single plates add FD to code (e.g. 497A08B/G/PN/**FD**).

### EXTERIOR DOOR SET HANDING



### HANDING - Single Lever



### FIX DEAD DUMMY OPTION



Plates with Lever/ Knob attached - achieved by custom machining both the Plate & Lever/ Knob, then fixing together with a lockbolt.

Plates Only - supplied with a 7813 Fix Dead Dummy Mount.



**SPRING ASSISTED PLATES (9mm thick). These require a raised collar (G seating is not possible) see page ST5:210 for illustration.**

METAL SKINNED DOORS - Add MTS to CODE (e.g. .... /PN/7774RH/MTS) and backplates will be supplied with metal thread screws instead of wood screws.

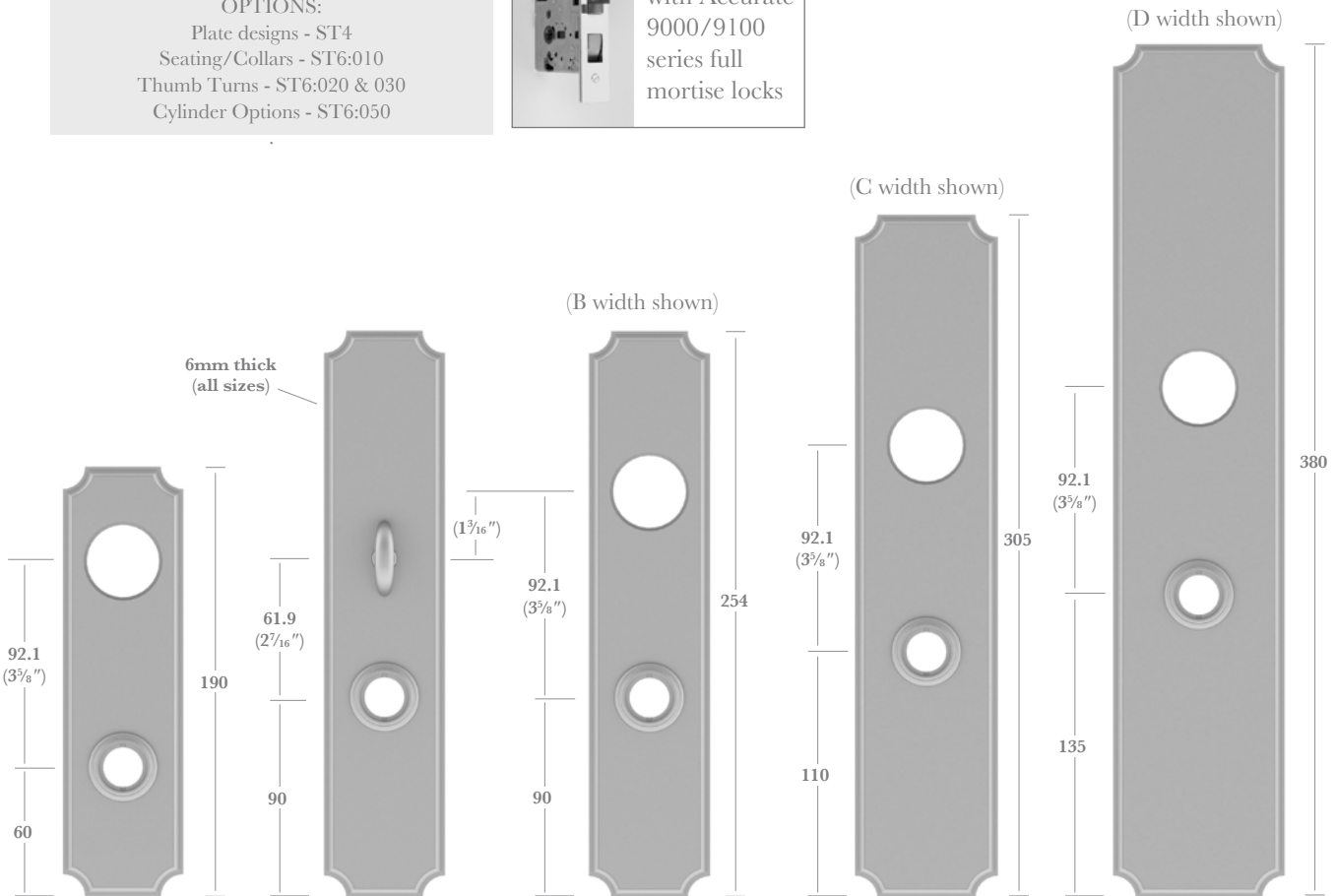


# Backplates - Accurate Mortise Locks - Concealed Fix

87 Series Plates with type L collar, T53 Turn & C01 Cylinder option illustrated

Concealed Fix Plates cannot be supplied with Levers or Knobs attached. Door Levers & Knobs are ordered separately - see sections ST1 & ST2.

**OPTIONS:**  
 Plate designs - ST4  
 Seating/Collars - ST6:010  
 Thumb Turns - ST6:020 & 030  
 Cylinder Options - ST6:050



<b>Plate Length</b>	190mm	254mm	305mm	380mm
<b>Code</b>	--1	--2	--3	--4

All Plate Lengths are available in the following widths:

<b>Plate Width</b>	44mm	54mm	64mm	76mm
<b>Code</b>	A*	B	C	D

\* Availability dependent on Backplate design - see section ST4 for details

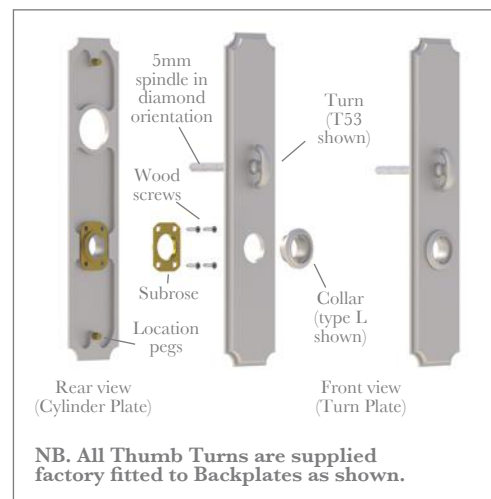
## Fixings

Supplied with subroses, no.4 x 13mm wood screws, alignment collars and installation instructions.

Fix Dead Plates are supplied with 7813 mounts in place of standard subroses - see page ST6:080 for details.

### LEVER HIGH CONFIGURATION

Backplates can be ordered as shown and reversed for Lever High application.



**NB. All Thumb Turns are supplied factory fitted to Backplates as shown.**

Continues overleaf >

# Backplates - Accurate Mortise Locks - Concealed Fix

Function	Double Cylinder	Entry	Patio	Storeroom
Code	A01	A02	A03	A04
<b>Outside Plate</b>	Cylinder	Cylinder	Plain	Cylinder
<b>Inside Plate</b>	Cylinder	Thumb Turn	Thumb Turn	Plain

Function	Passage	Cylinder	Thumb Turn	Passage
Code	A05	A06	A07	A08
<b>Outside Plate</b>	Plain	Cylinder	-	Plain
<b>Inside Plate</b>	Plain		Thumb Turn	

## How to Order

Split Finish Sets -  
order as singles

- 1) select PLATE DESIGN (e.g. **87** series)
- 2) add LENGTH code (e.g. **872**)
- 3) add FUNCTION code (e.g. **872A02**)
- 4) add WIDTH code (e.g. **872A02B**)
- 5) add COLLAR DESIGN (e.g. **872A02B/L**)
- 6) add TURN code if required (e.g. **872A02B/L/T53**)
- 7) add CYLINDER OPTION code if required (e.g. **872A02B/L/T53/C01**)
- 8) add FINISH code (e.g. **872A02B/L/T53/C01/PN**).

For FIX DEAD pairs of plates add FDS (e.g. **872A05B/L/PN/FDS**).

For FIX DEAD single plate add FD (e.g. **872A08B/L/PN/FD**).



METAL SKINNED DOORS - Add MTS to CODE (e.g. ....C01/PN/MTS)  
and subroses will be supplied with metal thread screws instead of wood screws.

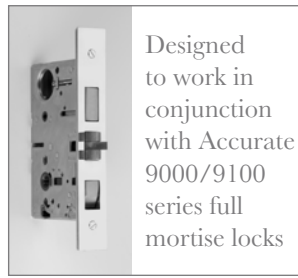


# Backplates - Accurate Mortise Locks - Blind Bolt Fixed

67 Series Plates with type G seating, T73 Turn & C01 Cylinder option illustrated

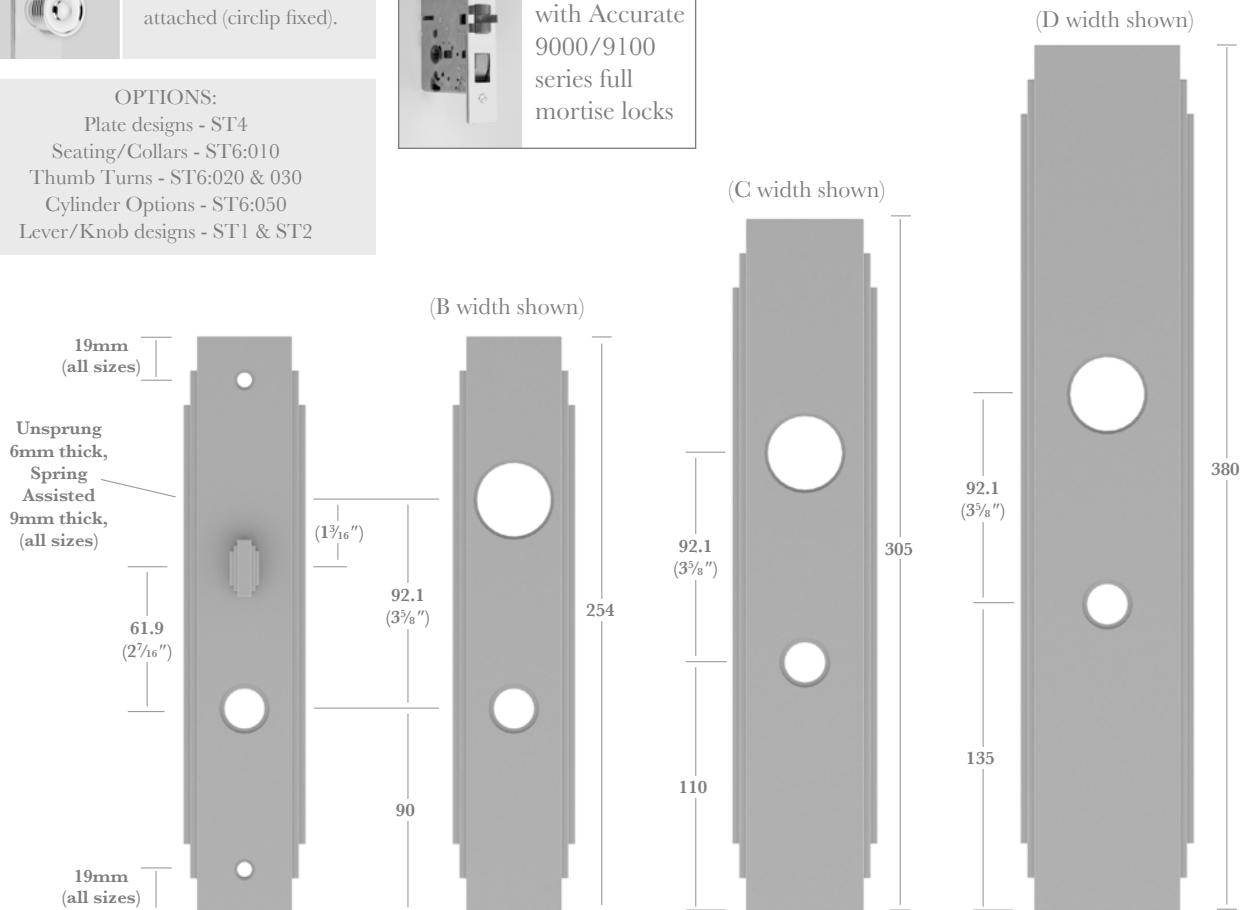


Blind Bolt Fixed Exterior Door Set Plates can be supplied with Allart Select Levers or Knobs attached (circlip fixed).



Designed to work in conjunction with Accurate 9000/9100 series full mortise locks

**OPTIONS:**  
 Plate designs - ST4  
 Seating/Collars - ST6:010  
 Thumb Turns - ST6:020 & 030  
 Cylinder Options - ST6:050  
 Lever/Knob designs - ST1 & ST2



<b>Plate Length</b>	254mm	305mm	380mm
<b>Code</b>	--7	--8	--9

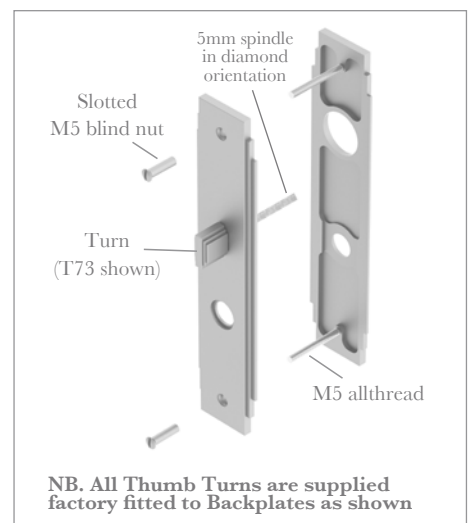
All Plate Lengths are available in the following widths:

<b>Plate Width</b>	44mm	54mm	64mm	76mm
<b>Code</b>	A*	B	C	D

\* Availability dependent on Backplate design - see section ST4 for details

## Fixings

Supplied with M5 x 25mm finish matched slotted blind nuts and M5 allthreads, alignment collars and installation instructions.  
 An 8mm x 110mm stainless steel Lockpoint Spindle and grub screws are supplied when Lever/Knob attached, to suit doors up to 64mm thick (longer spindles available - see ST6:080). Spring Assisted Sets supplied with an 8mm x 125mm stainless steel lockpoint spindle with grub screws, to suit doors up to 76mm thick.



Continues overleaf >

# Backplates - Accurate Mortise Locks - Blind Bolt Fixed

Function	Double Cylinder	Entry	Patio	Storeroom	Passage
Code	A11 or AS11	A12 or AS12	A13 or AS13	A14 or AS14	A15 or AS15
A = 6mm thick (Unsprung) AS = 9mm thick (Spring Assisted)		(*) 	(*) 	(*) 	(*) 
Outside Plate	Cylinder	Cylinder	Plain	Cylinder	Plain
Inside Plate	Cylinder	Thumb Turn	Thumb Turn	Plain	Plain

(\* If functions are required with operating inside handles & fixed dead dummy outside handles, please order two separate single plates as below. **NB. Ensure you order AS version if a 9mm thick plate is required.**

Function	Cylinder	Cylinder	Thumb Turn	Passage	Passage
Code	A16 or AS16	A17 or AS17	A18 or AS18	A19 or AS19	A20 or AS20
A = 6mm thick (Unsprung) AS = 9mm thick (Spring Assisted)					
Outside Plate	Cylinder	-	-	Plain	-
Inside Plate	-	Cylinder	Thumb Turn	-	Plain

## How to Order

Split Finish Sets - order as singles

### Plates with Levers/Knobs attached:

- 1) select PLATE DESIGN (e.g. 67 series)
- 2) add LENGTH code (e.g. 677)
- 3) add FUNCTION code (e.g. 677A12)
- 4) add WIDTH code (e.g. 677A12B)
- 5) add COLLAR DESIGN (e.g. 677A12B/G)
- 6) add TURN code if required (e.g. 677A12B/G/T73)
- 7) add CYLINDER OPTION code if required (e.g. 677A12B/G/T73/C01)
- 8) add FINISH code (e.g. 677A12B/G/T73/C01/PN)
- 9) add LEVER/KNOB code (e.g. 677A12B/G/T73/C01/PN/7734).

All FUNCTIONS with LEVERS - add HANDLING LH or RH (e.g. 677A12B/G/T73/C01/PN/7734RH).

NB. Exterior Door Sets are handed from OUTSIDE Plate; Single Plates with Levers attached are handed as per LEVER ORIENTATION - see handing illustrations.

For FIX DEAD pair of plates add FDS to code (e.g. 677A15B/G/PN/7734RH/FDS).

For FIX DEAD single plates add FD to code (e.g. 677A19B/G/PN/7734LH/FD).

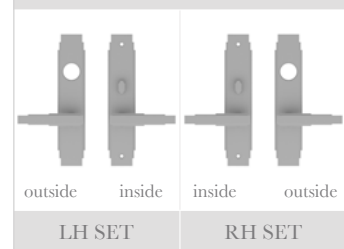
### Plates Only:

- 1) select PLATE DESIGN (e.g. 67 series)
  - 2) add LENGTH code (e.g. 677)
  - 3) add FUNCTION code (e.g. 677A12)
  - 4) add WIDTH code (e.g. 677A12B)
  - 5) add COLLAR DESIGN (e.g. 677A12B/G)
  - 6) add TURN code if required (e.g. 677A12B/G/T73)
  - 7) add CYLINDER OPTION code if required (e.g. 677A12B/G/T73/C01)
  - 8) add FINISH code (e.g. 677A12B/G/T73/C01/PN).
- For FIX DEAD pair of plates add FDS to code (e.g. 677A15B/G/PN/FDS).
- For FIX DEAD single plates add FD to code (e.g. 677A19B/G/PN/FD).

**SPRING ASSISTED PLATES (9mm thick). These require a raised collar (G seating is not possible) see page ST5:210 for illustration.**

METAL SKINNED DOORS - Blind Bolt Fixing is suitable for use with metal skinned doors - no adaption necessary.

### EXTERIOR DOOR SET HANDING



### HANDING - Single Lever



### FIX DEAD DUMMY OPTION



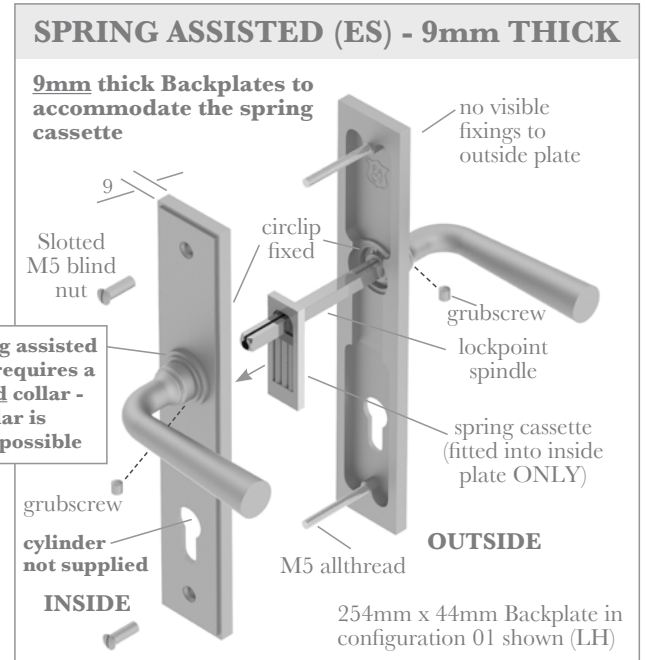
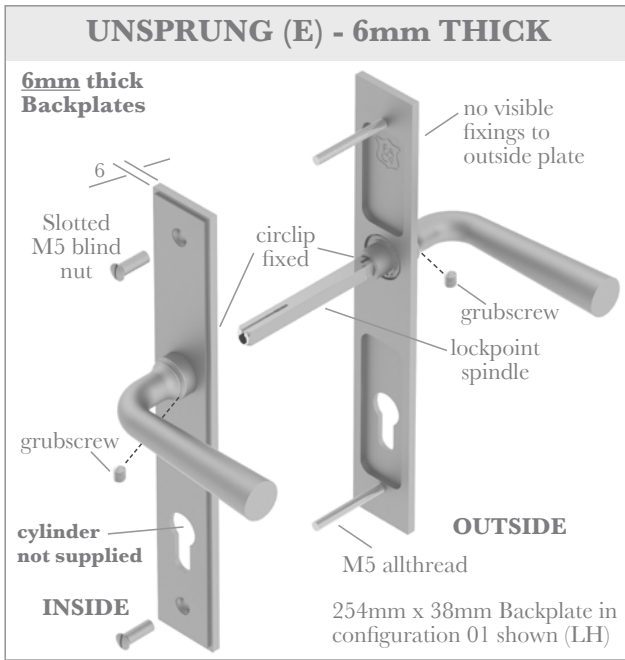
Plates with Lever/ Knob attached - achieved by custom machining both the Plate & Lever/ Knob, then fixing together with a lockbolt.

Plates Only - supplied with a 7813 Fix Dead Dummy Mount.



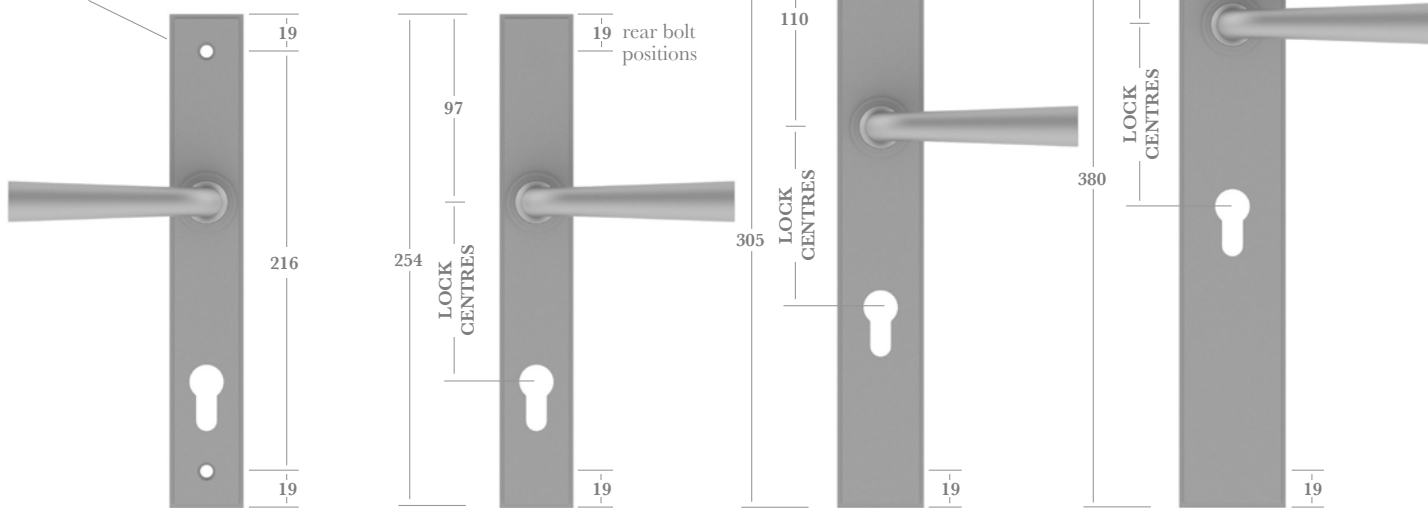


# Multipoint Sets - Euro Profile Locks



**OPTIONS:**  
 Plate designs - ST4  
 Seating/Collars - ST6:010  
 Lever designs - ST1

6mm thick - Code E  
 9mm thick - Code ES



<b>Plate Length</b>	254mm	305mm	380mm
<b>Code</b>	--7	--8	--9

<b>Plate Width</b>	27mm	32mm	38mm	44mm	54mm	64mm
<b>Code</b>	AC*	AB*	AA*	A	B	C

\*Availability dependent on Backplate design - see section ST4 for details.

Continues overleaf >

# Multipoint Sets - Euro Profile Locks (continued)

Function Code	E01 or ES01	E02 or ES02	E03 or ES03	E04 or ES04	E05 or ES05
E = 6mm thick (Unsprung)					
ES = 9mm thick (Spring Assisted)					
Outside Plate	Lever & Euro Cutout	Lever only (*)	Blank	Lever only (*)	Blank
Inside Plate	Lever & Euro Cutout	Lever & Euro Cutout	Lever & Euro Cutout	Lever only	Lever only

(\*) If functions 02 & 04 are required with operating inside handles & fixed dead dummy outside handles, please order two separate single plates as below. **NB. Ensure you order ES version if a 9mm thick plate is required.**

Function Code	E06 or ES06	E07 or ES07	E08 or ES08	E09 or ES09	E10 or ES10	E11 or ES11	E12 or ES12	E13 or ES13
E = 6mm thick (Unsprung)								
ES = 9mm thick (Spring Assisted)								
Outside Plate	-	-	Lever & Euro Cutout	Lever only	Blank	Euro Cutout	-	-
Inside Plate	Lever & Euro Cutout	Lever only	-	-	-	-	Blank	Euro Cutout

## Fixings

Supplied with M5 x 25mm finish matched slotted blind nuts and M5 allthreads. Unsprung Sets supplied with an 8mm x 110mm stainless steel lockpoint spindle with grubscrews, to suit doors up to 64mm thick. Spring Assisted Sets supplied with an 8mm x 125mm stainless steel lockpoint spindle with grubscrews, to suit doors up to 76mm thick.

## How to Order Split Finish Sets - order as singles

### Functions E (6mm thick, Unsprung):

- 1) select PLATE DESIGN (e.g. 59 series)
- 2) add LENGTH code (e.g. 597)
- 3) add FUNCTION code (e.g. 597E01)
- 4) add WIDTH code (e.g. 597E01AA)
- 5) add LOCK CENTRES - if applicable (e.g. 597E01AA92)
- 6) add COLLAR DESIGN (e.g. 597E01AA92K)
- 7) add FINISH (e.g. 597E01AA92K/PN)
- 8) add LEVER code (e.g. 597E01AA92K/PN/7706)
- 9) add HANDING LH or RH (e.g. 597E01AA92K/PN/7706RH).

For FIX DEAD pair of plates add FDS to code (e.g. 597E04AA/K/PN/7706RH/FDS).

For FIX DEAD single plates add FD to code (e.g. 597E09AA/K/PN/7706LH/FD).

### Functions ES (9mm thick, Spring Assisted):

- 1) select PLATE DESIGN (e.g. 59 series)
- 2) add LENGTH code (e.g. 597)
- 3) add FUNCTION code (e.g. 597ES01)
- 4) add WIDTH code (e.g. 597ES01AA)
- 5) add LOCK CENTRES - if applicable (e.g. 597ES01AA92)
- 6) add COLLAR DESIGN (e.g. 597ES01AA92K)
- 7) add FINISH (e.g. 597ES01AA92K/PN)
- 8) add LEVER code (e.g. 597ES01AA92K/PN/7706)
- 9) add HANDING LH or RH (e.g. 597ES01AA92K/PN/7706RH).

For FIX DEAD pair of plates add FDS to code (e.g. 597ES04AA/K/PN/7706RH/FDS).

For FIX DEAD single plates add FD to code (e.g. 597ES09AA/K/PN/7706LH/FD).

HANDING - Multipoint Lock Sets are handed from the OUTSIDE plate, see Multipoint Set Handing box above. Single Plates with Levers attached are handed as per LEVER ORIENTATION - see Function Code illustrations above.

**MULTIPOINT SET HANDING**

outside      inside

**LH SET**

inside      outside

**RH SET**

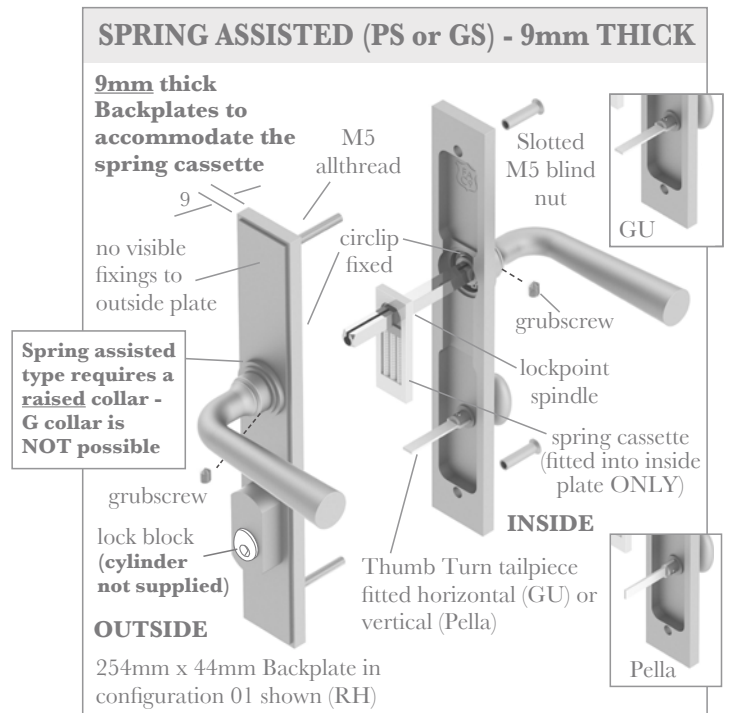
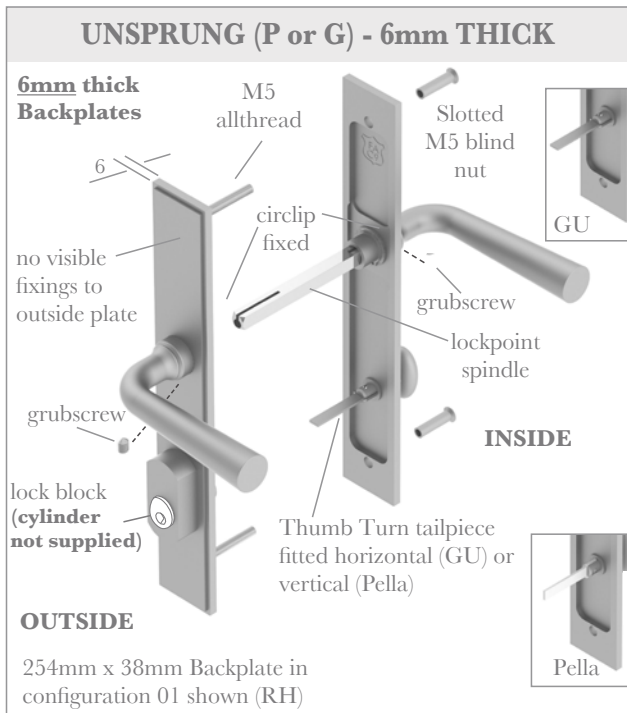
---

**FIX DEAD DUMMY OPTION (Supplied assembled)**

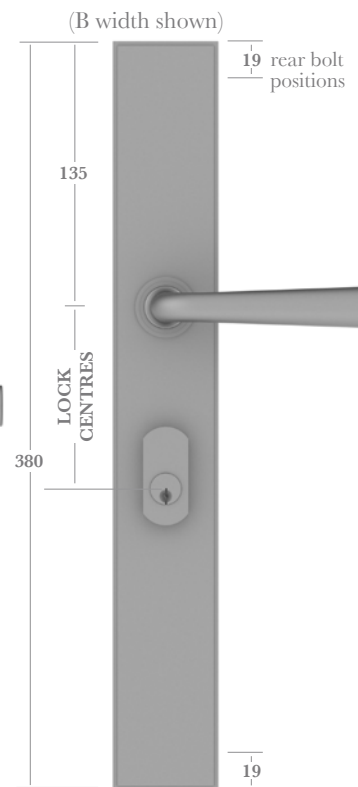
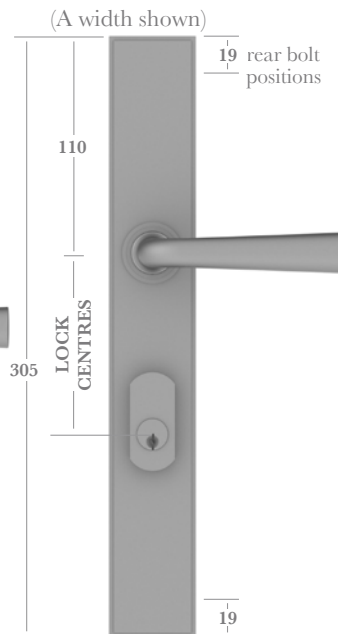
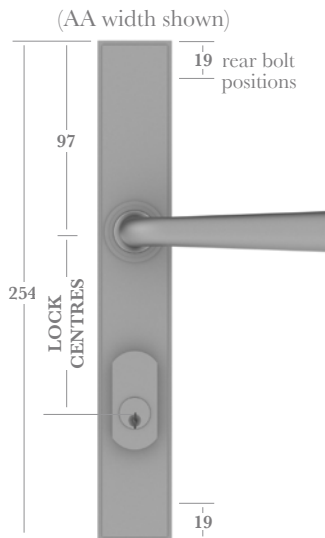
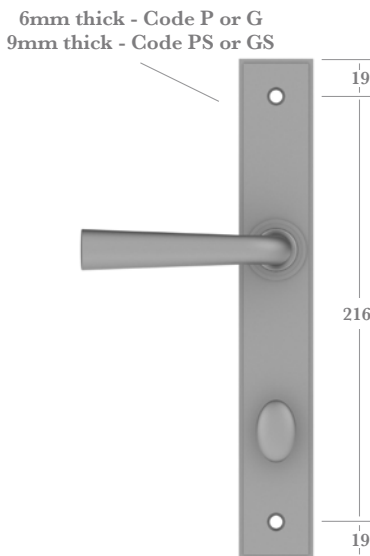
Achieved by custom machining both the Plate & Lever/Knob, then fixing together with a lockbolt.

**Due to the operation of multipoint locks, we recommend the specification of Levers attached whenever possible. Should you require plates only - please contact us for ordering details.**

# Multipoint Sets - Pella & GU Locks



**OPTIONS:**  
 Plate designs - ST4  
 Seating/Collars - ST6:010  
 Thumb Turns - ST6:020 & 030  
 Lever designs - ST1



<b>Plate Length</b>	254mm	305mm	380mm
<b>Code</b>	--7	--8	--9

<b>Plate Width</b>	27mm	32mm	38mm	44mm	54mm	64mm
<b>Code</b>	AC*	AB*	AA*	A	B	C

\*Availability dependent on Backplate design - see section ST4 for details.

Continues overleaf >

# Multipoint Sets - Pella & GU Locks (continued)

Pella	P01 or PS01	P02 or PS02	P03 or PS03	P04 or PS04	P05 or PS05
GU	G01 or GS01	G02 or GS02	G03 or GS03	G04 or GS04	G05 or GS05
<b>Function Codes</b> P / G = 6mm thick (Unsprung) PS / GS = 9mm thick (Spring Assisted)					
	LH set shown	LH set shown	LH set shown	LH set shown	LH set shown
<b>Outside Plate</b>	Lever & Lock Block	Lever only (*)	Blank	Lever only (*)	Blank
<b>Inside Plate</b>	Lever & Thumb Turn	Lever & Thumb Turn	Lever & Thumb Turn	Lever only	Lever only

(\*) If functions 02 & 04 are required with operating inside handles & fixed dead dummy outside handles, please order two separate single plates as below. **NB. Ensure you order PS or GS version if a 9mm thick plate is required.**

Pella	P06 or PS06	P07 or PS07	P08 or PS08	P09 or PS09	P10 or PS10	P11 or PS11
GU	G06 or GS06	G07 or GS07	G08 or GS08	G09 or GS09	G10 or GS10	G11 or GS11
<b>Function Codes</b> P / G = 6mm thick (Unsprung) PS / GS = 9mm thick (Spring Assisted)						
	RH shown	RH shown	LH shown	LH shown		
<b>Outside Plate</b>	-	-	Lever & Lock Block	Lever only	Blank	Lock Block
<b>Inside Plate</b>	Lever & Thumb Turn	Lever only	-	-	-	-

## Fixings

Supplied with M5 x 25mm finish matched slotted blind nuts and M5 allthreads. Unsprung Sets supplied with an 8mm x 110mm stainless steel lockpoint spindle with grubscrews, to suit doors up to 64mm thick. Spring assisted sets supplied with an 8mm x 125mm stainless steel lockpoint spindle with grubscrews, to suit doors up to 76mm thick.

## How to Order Split Finish Sets - order as singles

### Functions P or G (6mm thick, Unsprung):

- 1) select PLATE DESIGN (e.g. 59 series)
- 2) add LENGTH code (e.g. 597)
- 3) add FUNCTION code (e.g. 597P01)
- 4) add WIDTH code (e.g. 597P01AA)
- 5) add LOCK CENTRES - if applicable (e.g. 597P01AA92)
- 6) add COLLAR DESIGN (e.g. 597P01AA92K)
- 7) add TURN code if required (e.g. 597P01AA92K/T61)
- 8) add FINISH (e.g. 597P01AA92K/T61/PN)
- 9) add LEVER code (e.g. 597P01AA92K/T61/PN/7706)
- 10) add HANDING LH or RH (e.g. 597P01AA92K/T61/PN/7706RH).

For FIX DEAD pair of plates add FDS to code (e.g. 597P04AA/K/PN/7706RH/FDS).

For FIX DEAD single plates add FD to code (e.g. 597P09AA/K/PN/7706LH/FD).

### Functions PS or GS (9mm thick, Spring Assisted):

- 1) select PLATE DESIGN (e.g. 59 series)
- 2) add LENGTH code (e.g. 597)
- 3) add FUNCTION code (e.g. 597PS01)
- 4) add WIDTH code (e.g. 597PS01AA)
- 5) add LOCK CENTRES - if applicable (e.g. 597PS01AA92)
- 6) add COLLAR DESIGN (e.g. 597PS01AA92K)
- 7) add TURN code if required (e.g. 597PS01AA92K/T61)
- 8) add FINISH (e.g. 597PS01AA92K/T61/PN)
- 9) add LEVER code (e.g. 597PS01AA92K/T61/PN/7706)
- 10) add HANDING LH or RH (e.g. 597PS01AA92K/T61/PN/7706RH).

For FIX DEAD pair of plates add FDS to code (e.g. 597PS04AA/K/PN/7706RH/FDS).

For FIX DEAD single plates add FD to code (e.g. 597PS09AA/K/PN/7706LH/FD).

HANDING - Multipoint Lock Sets are handed from the OUTSIDE plate, see Multipoint Set Handing box above. Single Plates with Levers attached are handed as per LEVER ORIENTATION - see Function Code illustrations above.

**MULTIPOINT SET HANDING**

outside      inside

**LH SET**

inside      outside

**RH SET**

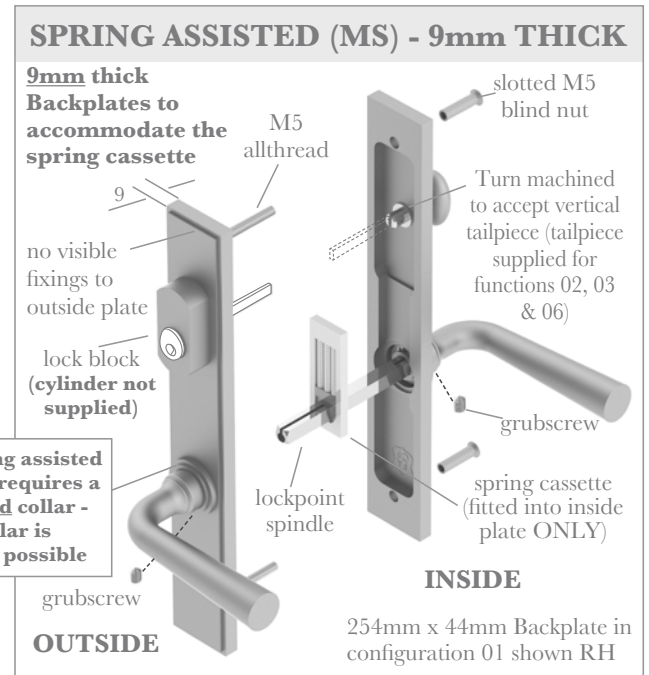
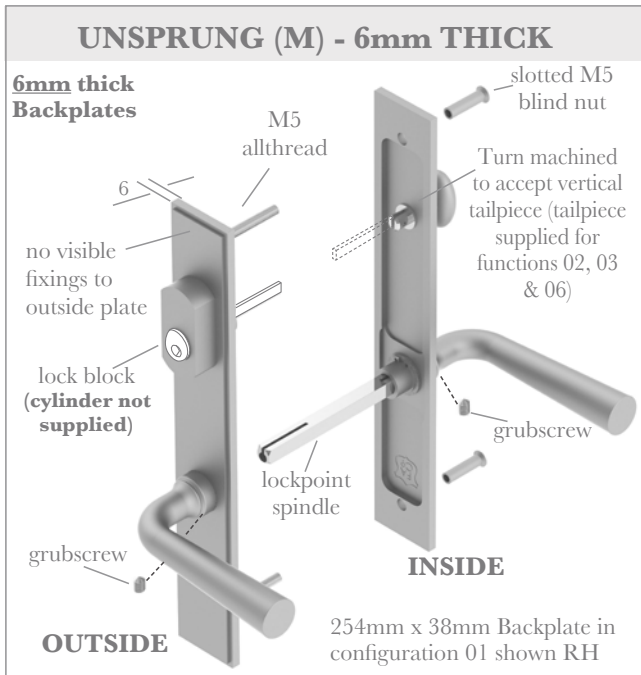
---

**FIX DEAD DUMMY OPTION (Supplied assembled)**

Achieved by custom machining both the Plate & Lever/Knob, then fixing together with a lockbolt.

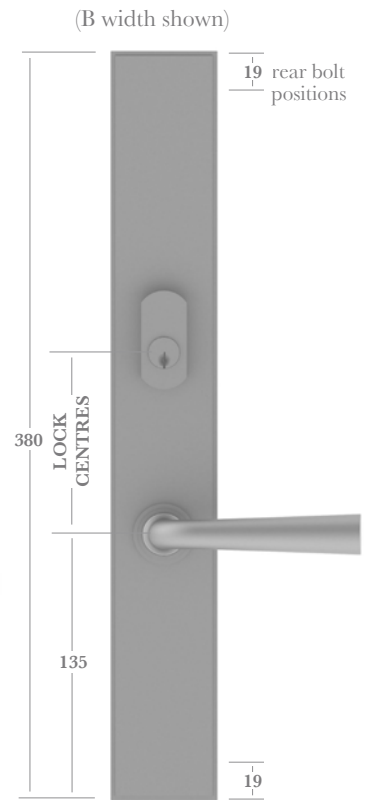
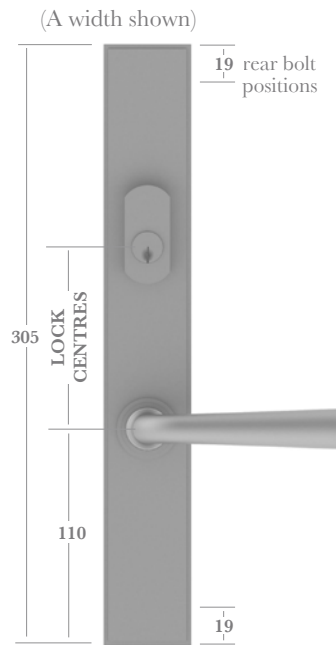
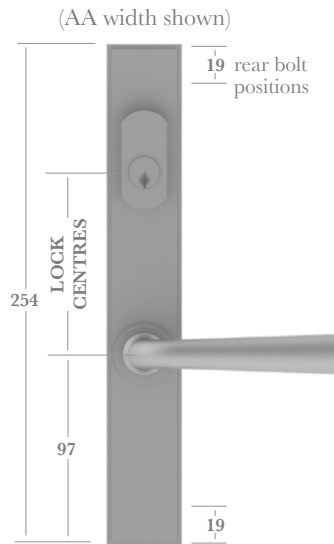
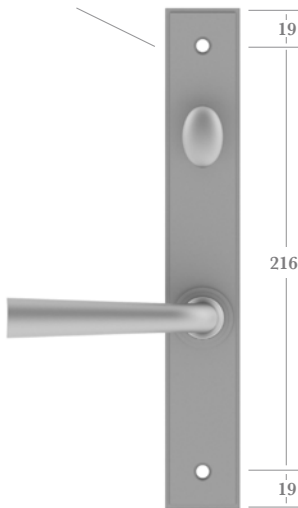
**Due to the operation of multipoint locks, we recommend the specification of Levers attached whenever possible. Should you require plates only - please contact us for ordering details.**

# Multipoint Sets - Marvin Lock (not suitable for Marvin Integrity series)



- OPTIONS:**
- Plate designs - ST4
  - Seating/Collars - ST6:010
  - Thumb Turns - ST6:020 & 030
  - Lever designs - ST1

6mm thick - Code M  
9mm thick - Code MS



<b>Plate Length</b>	254mm	305mm	380mm
<b>Code</b>	--7	--8	--9

<b>Plate Width</b>	27mm	32mm	38mm	44mm	54mm	64mm
<b>Code</b>	AC*	AB*	AA*	A	B	C

\*Availability dependent on Backplate design - see section ST4 for details.

Continues overleaf >

# Multipoint Sets - Marvin Lock (continued)

Function Code	M01 or MS01	M02 or MS02	M03 or MS03	M04 or MS04	M05 or MS05
M = 6mm thick (Unsprung)		(*)		(*)	
MS = 9mm thick (Spring Assisted)					
Outside Plate	Lever & Lock Block	Lever only (*)	Blank	Lever only (*)	Blank
Inside Plate	Lever & Thumb Turn	Lever & Thumb Turn	Lever & Thumb Turn	Lever only	Lever only

(\*) If functions 02 & 04 are required with operating inside handles & fixed dead dummy outside handles, please order two separate single plates as below. **NB. Ensure you order MS version if a 9mm thick plate is required.**

Function Code	M06 or MS06	M07 or MS07	M08 or MS08	M09 or MS09	M10 or MS10	M11 or MS11
M = 6mm thick (Unsprung)						
MS = 9mm thick (Spring Assisted)						
Outside Plate	-	-	Lever & Lock Block	Lever only	Blank	Lock Block
Inside Plate	Lever & Thumb Turn	Lever only	-	-	-	-

## Fixings

Supplied with M5 x 25mm finish matched slotted blind nuts and M5 allthreads. Unsprung Sets supplied with an 8mm x 110mm stainless steel lockpoint spindle with grub screws, to suit doors up to 64mm thick. Spring assisted sets supplied with an 8mm x 125mm stainless steel lockpoint spindle with grub screws, to suit doors up to 76mm thick.

## How to Order Split Finish Sets - order as singles

### Functions M (6mm thick, Unsprung):

- 1) select PLATE DESIGN (e.g. 59 series)
- 2) add LENGTH code (e.g. 597)
- 3) add FUNCTION code (e.g. 597M01)
- 4) add WIDTH code (e.g. 597M01AA)
- 5) add LOCK CENTRES - if applicable (e.g. 597M01AA92)
- 6) add COLLAR DESIGN (e.g. 597M01AA92K)
- 7) add TURN code if required (e.g. 597M01AA92K/T61)
- 8) add FINISH (e.g. 597M01AA92K/T61/PN)
- 9) add LEVER code (e.g. 597M01AA92K/T61/PN/7706)
- 10) add HANDING LH or RH (e.g. 597M01AA92K/T61/PN/7706RH).

For FIX DEAD pair of plates add FDS to code (e.g. 597M04AA/K/PN/7706RH/FDS).

For FIX DEAD single plates add FD to code (e.g. 597M09AA/K/PN/7706LH/FD).

### Functions MS (9mm thick, Spring Assisted):

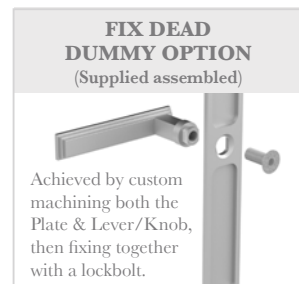
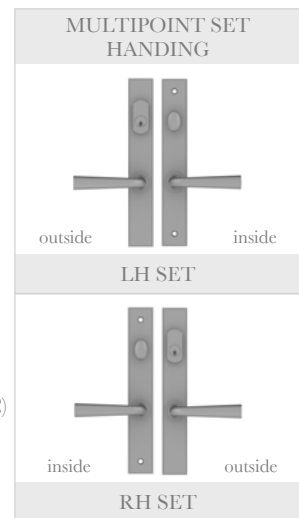
- 1) select PLATE DESIGN (e.g. 59 series)
- 2) add LENGTH code (e.g. 597)
- 3) add FUNCTION code (e.g. 597MS01)
- 4) add WIDTH code (e.g. 597MS01AA)
- 5) add LOCK CENTRES - if applicable (e.g. 597MS01AA92)
- 6) add COLLAR DESIGN (e.g. 597MS01AA92K)
- 7) add TURN code if required (e.g. 597MS01AA92K/T61)
- 8) add FINISH (e.g. 597MS01AA92K/T61/PN)
- 9) add LEVER code (e.g. 597MS01AA92K/T61/PN/7706)
- 10) add HANDING LH or RH (e.g. 597MS01AA92K/T61/PN/7706RH).

For FIX DEAD pair of plates add FDS to code (e.g. 597MS04AA/K/PN/7706RH/FDS).

For FIX DEAD single plates add FD to code (e.g. 597MS09AA/K/PN/7706LH/FD).

HANDING - Multipoint Lock Sets are handed from the OUTSIDE plate, see Multipoint Set Handing box above. Single Plates with Levers attached are handed as per LEVER ORIENTATION - see Function Code illustrations above.

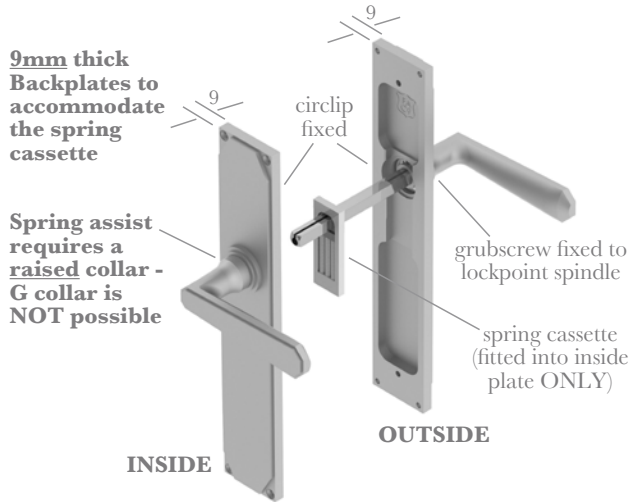
**Due to the operation of multipoint locks, we recommend the specification of Levers attached whenever possible. Should you require plates only - please contact us for ordering details.**





# Spring Assisted Backplates

- Available on Face Fix and Bolt Fix Backplates only, and only where the Levers or Knobs are fitted to the Backplates (circlip fixed).
- Not available on Concealed Fix Backplates.
- Thickness of the Backplate is 9mm in all cases to accommodate the Spring Cassette, which is fitted into the inside plate only.
- Spring Assisted Backplates require a raised collar - G type flush collar is NOT possible.



▲ **Latch (Passage)** - see page ST5:010



▲ **Keyhole** - see page ST5:030



▲ **Profile Cylinders** - see page ST5:050



▲ **Privacy** - see page ST5:070



▲ **Accurate US Entry Face Fixed** - see page ST5:090



▲ **Accurate US Entry Bolt Fixed** - see page ST5:130