

Espagnolette Handles

Four traditional period Espagnolette Handles, designed to operate multipoint window mechanisms, all feature spring assistance for positive open and closed positioning.

A lockable version with removable key is also available, as is an optional 8mm adaptor sleeve.



Fixings

Supplied with finish matched M5 x 40mm machine screws and fitted spindle.

How to Order

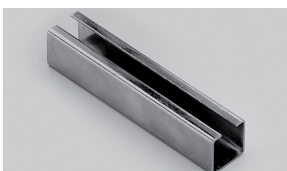
- 1) select HANDLE (e.g. **0350**)
- 2) choose LOCKING OPTION if required (e.g. **0350LK**)
- 3) add FINISH (e.g. **0350PB**, or **0350LK/PB**)
- 4) add HANDING (e.g. **0350PB/LH**, or **0350LK/PB/LH**).

NB. An adaptor sleeve is available for locking mechanisms with an 8mm hub (e.g. **0350PB/LH/8MM**).

Finishes - See our price list or website for finish availability.



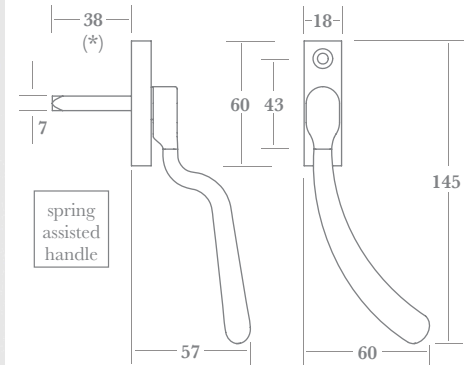
LK version with nickel plated key



optional 8mm adaptor sleeve (stainless steel)



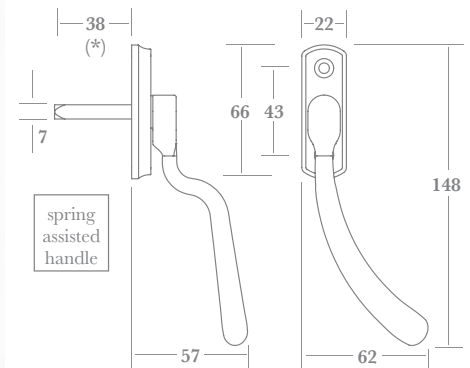
▲ **0349** (RH shown)



(*) other lengths available upon request



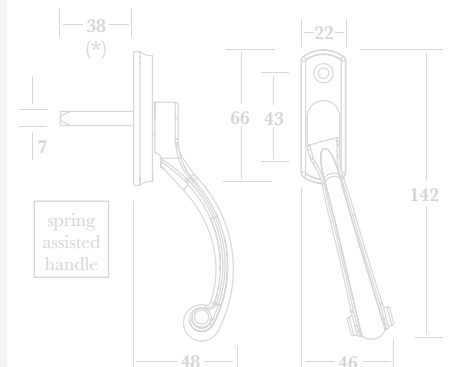
▲ **0350** (RH shown)



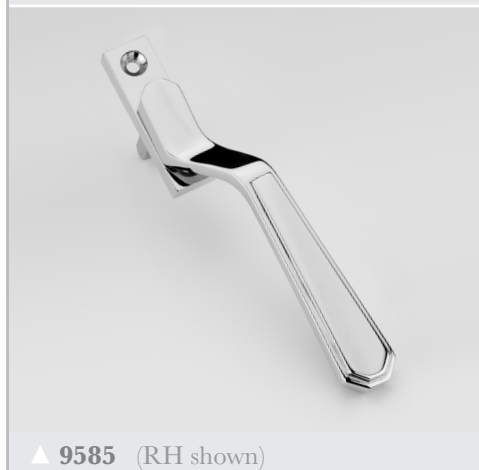
(*) other lengths available upon request



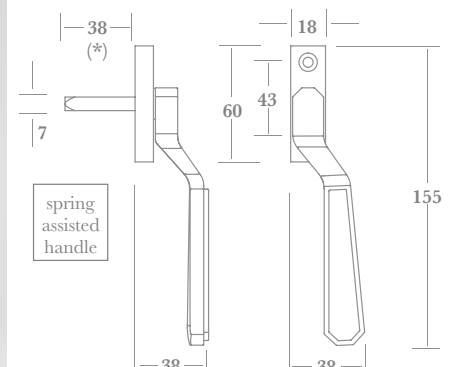
▲ **0355** (RH shown)



(*) other lengths available upon request



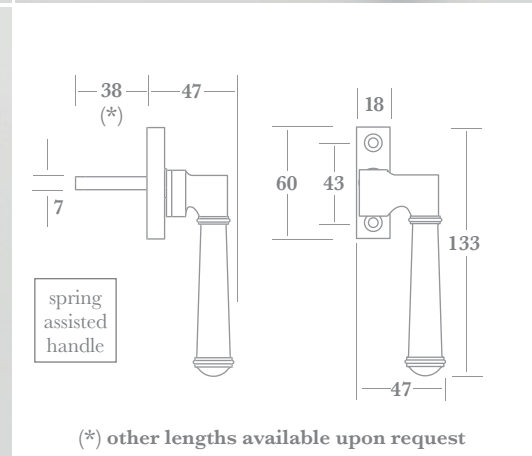
▲ **9585** (RH shown)



(*) other lengths available upon request

Espagnolette Handles

Three classic and two contemporary Espagnolette Handles designed to operate multipoint window mechanisms, each featuring spring assistance for positive open and closed positioning. A lockable version with removable key is also available.



Fixings

Supplied with finish matched M5 x 40mm machine screws and fitted spindle.

How to Order

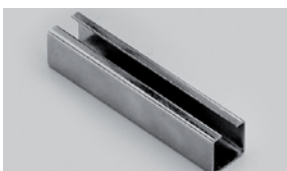
- 1) select HANDLE (e.g. 0306)
- 2) choose LOCKING OPTION if required (e.g. 0306**LK**)
- 3) add FINISH (e.g. 0306**PB**, or 0306**LK/PB**)
- 4) add HANDING (e.g. 0306**PB/LH**, or 0306**LK/PB/LH**).

NB. An adaptor sleeve is available for locking mechanisms with an 8mm hub (e.g. 0306**LK/PB/LH/8MM**).

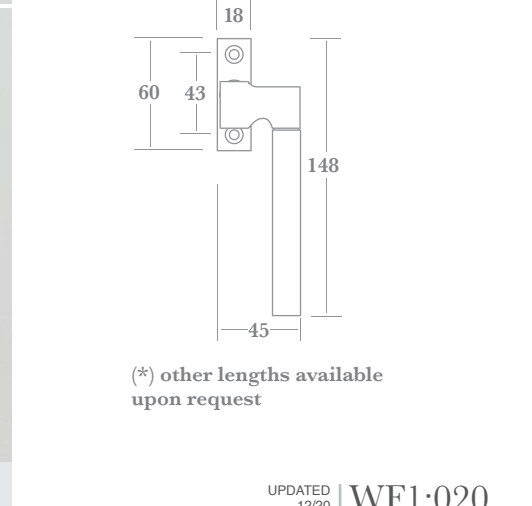
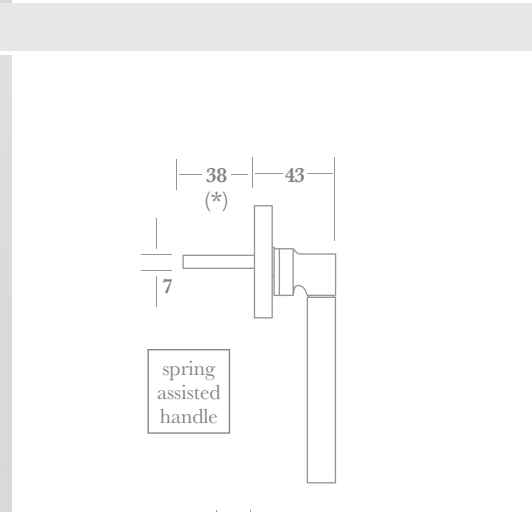
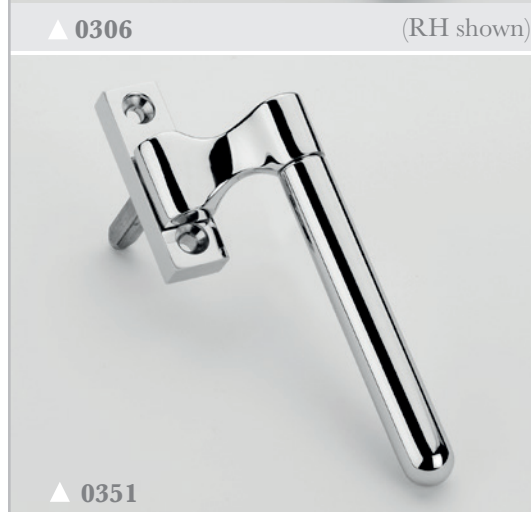
Finishes - See our price list or website for finish availability.



LK version with nickel plated key



optional 8mm adaptor sleeve (stainless steel)



Espagnolette Handles

Four classic and one monkey tail design Espagnolette Handle's for the operation of multipoint window mechanisms, each featuring spring assistance for positive open and closed positioning.

A lockable version with removable key is also available, and optional 8mm adaptor sleeve.



▲ 0290



▲ 0300



▲ 0302



▲ 0304

Fixings

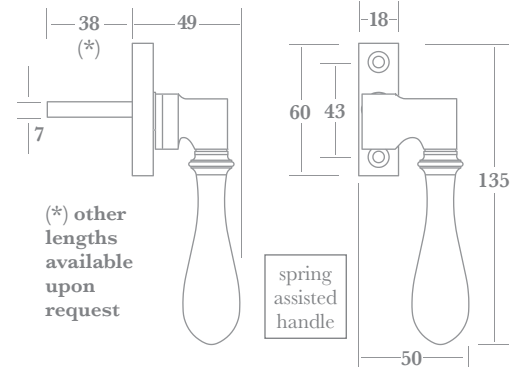
Supplied with finish matched M5 x 40mm machine screws and fitted spindle.

How to Order

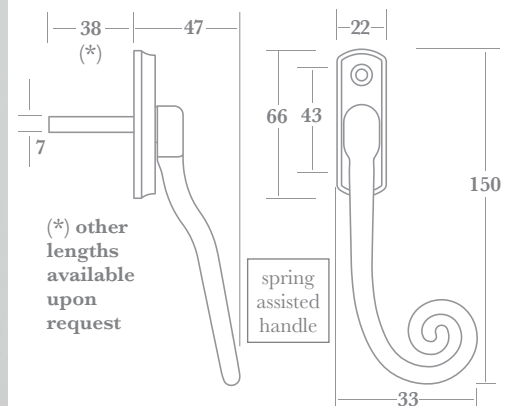
- 1) select HANDLE (e.g. 0302)
- 2) choose LOCKING OPTION if required (e.g. 0302LK)
- 3) add FINISH (e.g. 0302PB, or 0302LK/PB)
- 4) add HANDING (e.g. 0302PB/LH, or 0302LK/PB/LH).

NB. An adaptor sleeve is available for locking mechanisms with an 8mm hub (e.g. 0302LK/PB/LH/8MM).

Finishes - See our price list or website for finish availability.



▲ 0360



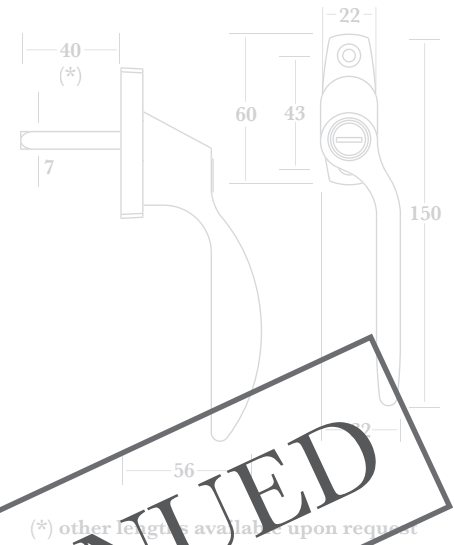
Espagnolette Handles

Espagnolette Handle for the operation of multipoint window mechanisms. Available with an optional 8mm adaptor sleeve if required.



two nickel plated keys supplied

▲ 0358 (RH shown)

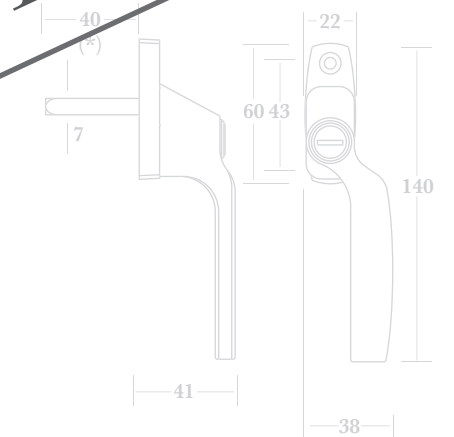


(*) other lengths available upon request



two nickel plated keys supplied

▲ 0359 (RH shown)



(*) other lengths available upon request

Fixings

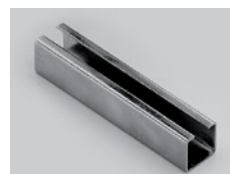
Supplied with finish matched M5 x 40mm machine screws and fitted spindle.

How to Order

- 1) select HANDLE (e.g. 0361)
- 2) add FINISH (e.g. 0361PB)
- 3) add HANDING (e.g. 0361PB/LH).

NB. An adaptor sleeve is available for locking mechanisms with an 8mm hub (e.g. 0361PB/LH/8MM).

Finishes - See our price list or website for finish availability.



▲ optional 8mm adaptor sleeve (stainless steel)

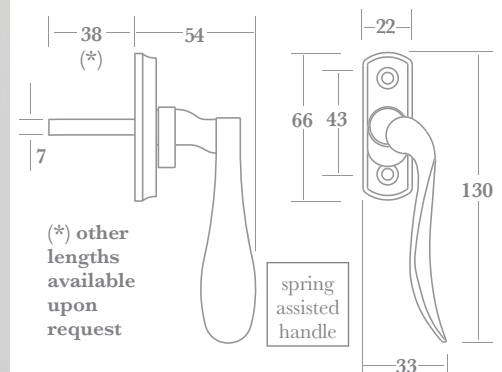


0361LK with nickel plated key



RH shown

▲ 0361



(*) other lengths available upon request

spring assisted handle

CYLINDER FINISHES 0358 & 0359

Please note: We offer two cylinder lock finishes - Brass or Nickel. The most appropriate will be supplied to match the product finish chosen.

Please contact us should you have a specific preference.

